

## RSKR

Single Nut, Cylindrical with Thread.

Tolerance D: h10.

Standard nuts are without any seals or scrapers. Other types on request.

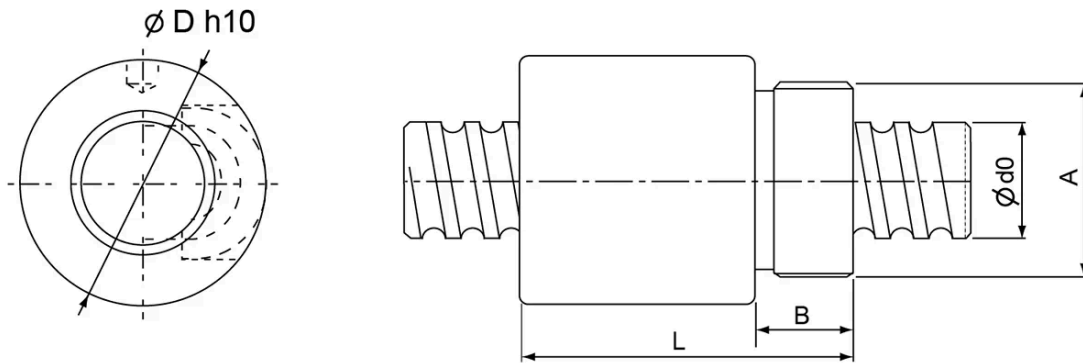
All dimensions in mm.



## General Data

Designation	Compatible with	Dynamic Load Ratings Ca (N)	Static Load Ratings C0a (N)	Ball diameter	Turns x circuits
<b>RSKR082.5</b>	FKN06	2109	2345	1.2	1 x 2.5
<b>RSKR1204</b>	BKN08 / FKN08 / BFN08	6327	6798	2.381	1 x 3.5
<b>RSKR1605</b>	BKN12 / FKN12 / BFN12 / FFN12	10291	11223	3.175	1 x 3.5

## Dimensions



Designation	A	B	D	L	d0 x Lead
<b>RSKR082.5</b>	M15 x 1	7.5	17.5	26	8 x 2.5
<b>RSKR1204</b>	M20 x 1	10	25.5	34	12 x 4
<b>RSKR1605</b>	M26 x 1.5	12	32.5	42	16 x 5