

## FSCR/FSCL

Ball nut with Flange (DIN 69051).

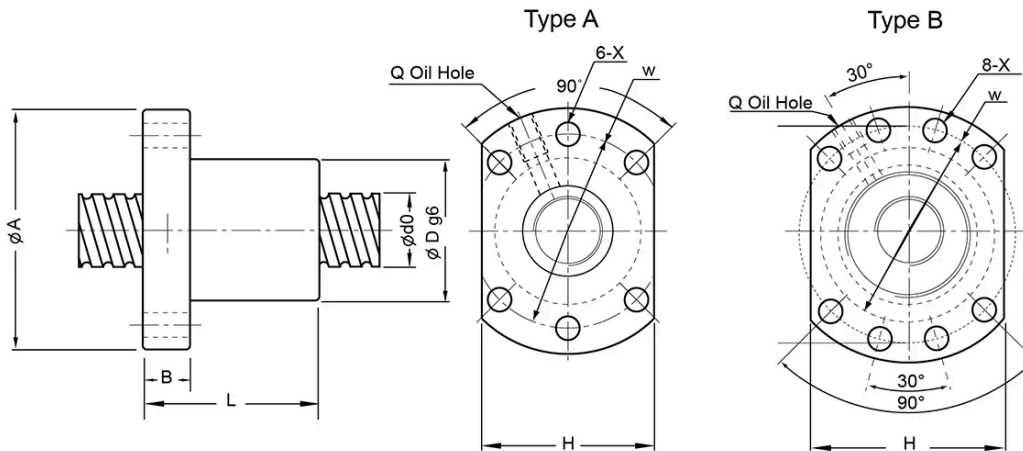
Available in right (FSCR) and left (FSCL) lead.

Standard nuts are with oil-seals.

All dimensions in mm.



## General Data



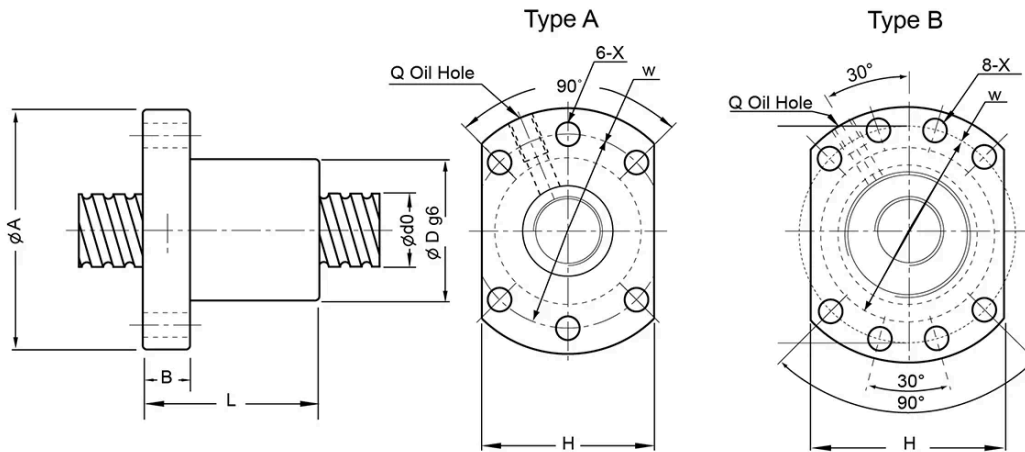
Designation	Compatible with	Type	Dynamic Load Ratings Ca (N)	Static Load Ratings C0a (N)	Ball diameter
<b>FSCR1605</b>	BKN12 / FKN12 / BFN12 / FFN12	A	13185	14960	3.175
<b>FSCRN1610</b>	BKN12 / FKN12 / BFN12 / FFN12	A	11576	14676	3.175
<b>FSCR2005</b>	BKN15 / FKN15 / BFN15 / FFN15	A	14833	19571	3.175
<b>FSCL2005</b>	BKN15 / FKN15 / BFN15 / FFN15	A	14833	19571	3.175
<b>FSCR2505</b>	BKN20 / FKN20 / BFN20 / FFN20	A	16716	25320	3.175
<b>FSCR2510</b>	BKN17 / FKN17 / BFN17 / FFN17	A	28263	36248	4.762
<b>FSCR3205</b>	BKN25 / FKN25 / WBK25DF / BFN25 / FFN25	A	18874	33383	3.175
<b>FSCL3205</b>	BKN25 / FKN25 / WBK25DF / BFN25 / FFN25	A	18874	33383	3.175
<b>FSCR3210</b>	BKN25 / FKN25 / WBK25DF / BFN25 / FFN25	A	47422	76861	6.35
<b>FSCR3220</b>	BKN25 / FKN25 / WBK25DF / BFN25 / FFN25	A	21003	35081	3.969
<b>FSCR4005</b>	BKN30 / FKN30 / WBK30DF / WBK30DFF / BFN30 / FFN30	B	21013	42595	3.175
<b>FSCR4010</b>	BKN30 / FKN30 / WBK30DF / WBK30DFF / BFN30 / FFN30	B	52964	98826	6.35
<b>FSCR4020</b>	BKN30 / FKN30 / WBK30DF / WBK30DFF / BFN30 / FFN30	B	37101	63451	5.556
<b>FSCR5010</b>	BKN40 / WBK40DF / WBK40DFF / BFN40	B	58203	120791	6.35
<b>FSCR6310</b>	—	B	65727	159216	6.35
<b>FSCR6320</b>	—	B	87868	176040	9.525



## General Data

Designation	Turns x circuits
FSCR1605	1 x 4
FSCRN1610	3 x 1
FSCR2005	1 x 4
FSCL2005	4 x 1
FSCR2505	1 x 4
FSCR2510	1 x 4
FSCR3205	1 x 4
FSCL3205	1 x 4
FSCR3210	1 x 4
FSCR3220	3 x 1
FSCR4005	1 x 4
FSCR4010	1 x 4
FSCR4020	3 x 1
FSCR5010	1 x 4
FSCR6310	1 x 4
FSCR6320	1 x 3

## Dimensions



Designation	A	B	D	H	L	Q	W	X	d0 x Lead
<b>FSCR1605</b>	48	10	28	40	50	M6	38	5.5	16 x 5
<b>FSCRN1610</b>	48	12	28	40	43	M6	38	5.5	16 x 10
<b>FSCR2005</b>	58	10	36	44	53	M6	47	6.6	20 x 5
<b>FSQL2005</b>	58	10	36	44	34	M6	47	6.6	20 x 5
<b>FSCR2505</b>	62	10	40	48	53	M6	51	6.6	25 x 5
<b>FSCR2510</b>	62	12	40	48	85	M6	51	6.6	25 x 10
<b>FSCR3205</b>	80	12	50	62	53	M6	65	9	32 x 5
<b>FSQL3205</b>	80	12	50	62	53	M6	65	9	32 x 5
<b>FSCR3210</b>	80	16	50	62	90	M6	65	9	32 x 10
<b>FSCR3220</b>	80	13	50	62	78	M6	65	9	32 x 20
<b>FSCR4005</b>	93	16	63	70	56	M8	78	9	40 x 5
<b>FSCR4010</b>	93	18	63	70	93	M8	78	9	40 x 10
<b>FSCR4020</b>	93	15	63	70	83	M8	78	9	40 x 20
<b>FSCR5010</b>	110	18	75	85	93	M8	93	11	50 x 10
<b>FSCR6310</b>	125	18	90	95	98	M8	108	11	63 x 10
<b>FSCR6320</b>	135	20	95	100	138	M8	115	13.5	63 x 20