

SFYAR

Single Nut with Flange, Over Lead.

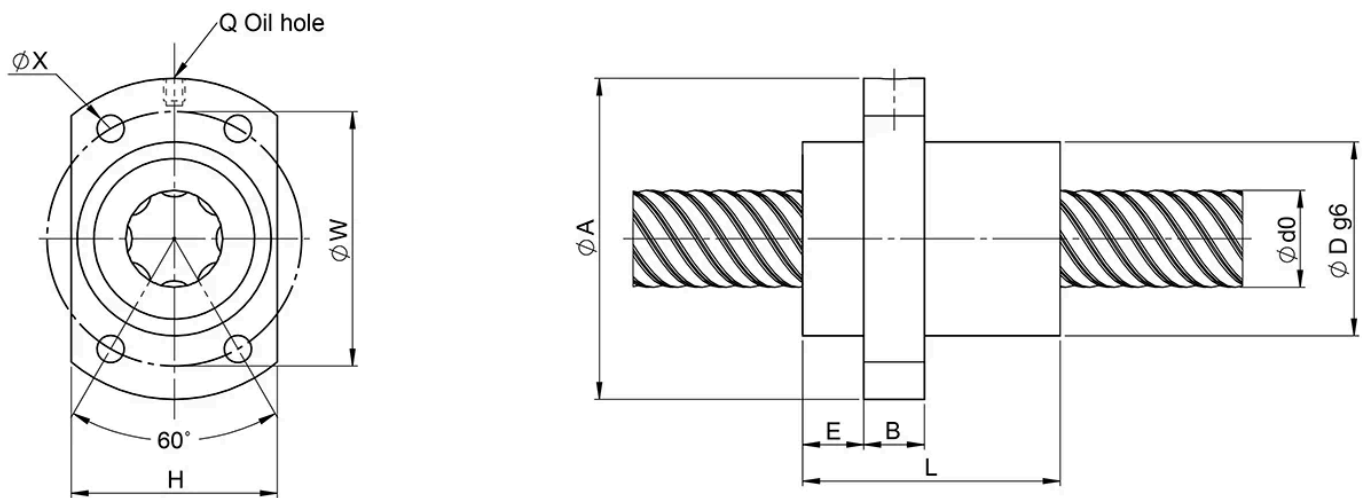
All dimensions in mm.



General Data

| Designation | Compatible with | Dynamic Load Ratings Ca (N) | Static Load Ratings C0a (N) | Ball diameter | Turns x circuits |
|-------------|----------------------------------|--------------------------------|--------------------------------|---------------|------------------|
| SFYAR1632 | BKN12 / FKN12 / BFN12 / FFN12 | 4930 | 11160 | 2.778 | 0.8 x 2 |
| SFYAR2040 | BKN15 / FKN15 / BFN15 / FFN15 | 6530 | 15970 | 3.175 | 0.8 x 2 |
| SFYAR2550 | BKN20 / FKN20 / BFN20 / FFN20 | 9760 | 24950 | 3.969 | 0.8 x 2 |

Dimensions



| Designation | A | B | D | E | H | L | Q | W | X |
|-------------|----|----|----|------|----|------|----|----|-----|
| SFYAR1632 | 53 | 10 | 32 | 10.1 | 34 | 42.5 | M6 | 42 | 4.5 |
| SFYAR2040 | 62 | 10 | 39 | 13 | 41 | 48 | M6 | 50 | 5.5 |
| SFYAR2550 | 74 | 12 | 47 | 15 | 49 | 58 | M6 | 60 | 6.6 |

| Designation | d0 x Lead |
|-------------|-----------|
| SFYAR1632 | 16 x 32 |
| SFYAR2040 | 20 x 40 |
| SFYAR2550 | 25 x 50 |