

RN/RN..W

Spanner tools for radial holes "R" available from Rollco.

All dimensions in mm.

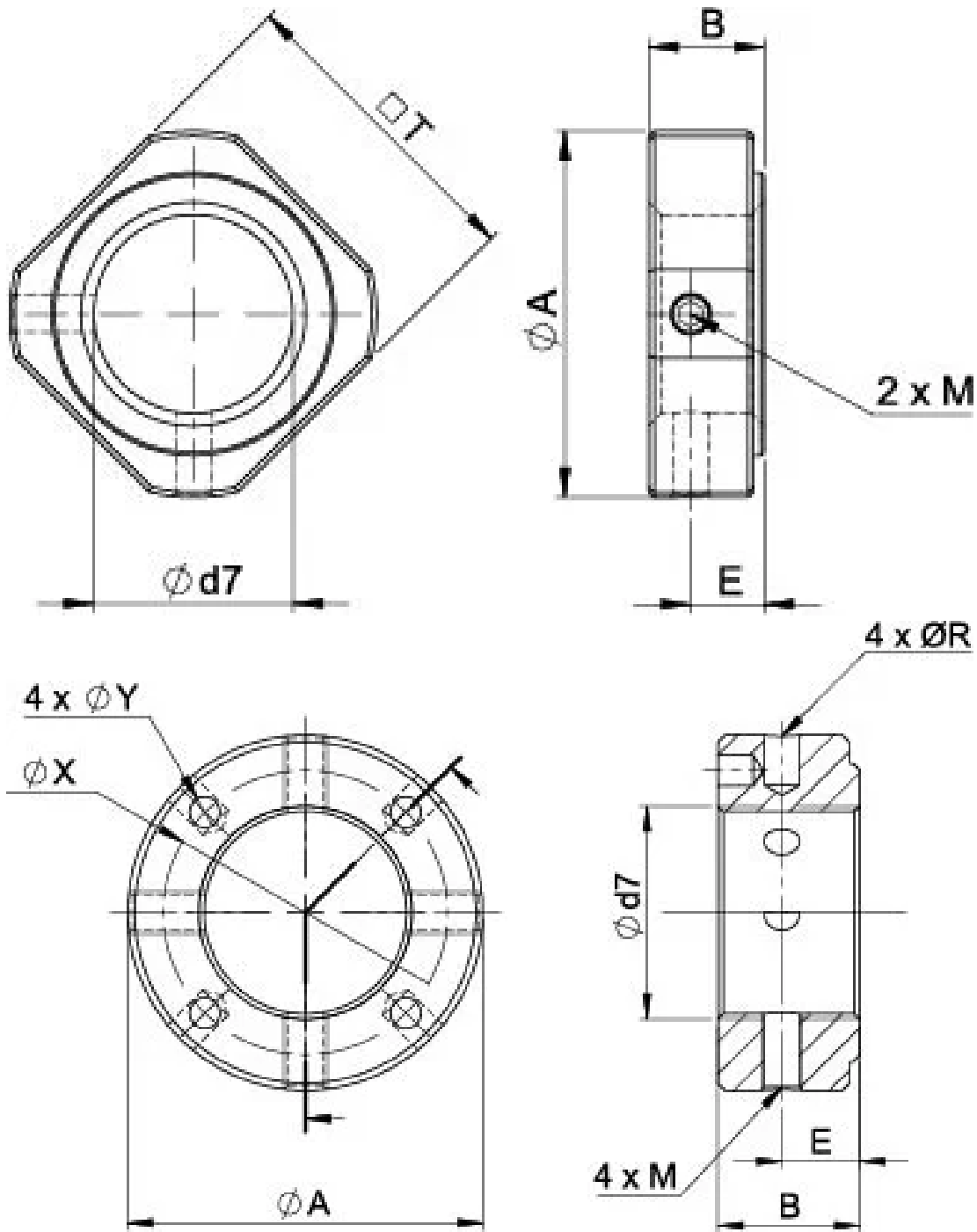
* The Maximal tightening torque of the nut should not be exceeded. It is not required, neither recommended to tighten the nut to its limits. What is mandatory is to always tighten the set screws to prescribed values, after the nut have been tighten to a distinct stop.



General Data

Designation	Max. Tightening Torque Nut (Nm)*	Tightening Torque Set Screws (Nm)
RN06	2	0.6
RN08	3	0.6
RN10	3	0.6
RN12	7	1.5
RN15	8	1.5
RN17	10	1.5
RN20	17	1.5
RN25	21	5.0
RN30	32	5.0
RN40	72	5.0
RN25W	87	5.0
RN30W	105	5.0
RN40W	160	5.0

Dimensions



Designation	A	B	E	M	R	T	Y	d7	X
RN06	13.5	5	2.7	M3	-	12	-	M6x0.75	-
RN08	16.4	6.5	4	M3	-	14	-	M8x1	-
RN10	19	8	5.5	M3	-	16	-	M10x1	-
RN12	22.8	8	5.5	M4	-	19	-	M12x1	-
RN15	25.8	8	4.75	M4	-	22	-	M15x1	-
RN17	29	13	9	M4	-	24	-	M17x1	-
RN20	35	11	7	M4	-	30	-	M20x1	-
RN25	43	15	10	M6	-	35	-	M25x1.5	-
RN30	48	20	14	M6	-	40	-	M30x1.5	-
RN40	62	25	18	M6	-	50	-	M40x1.5	-
RN25W	45	20	11	M6	5	-	4.3	M25x1.5	35
RN30W	50	20	11	M6	5	-	4.3	M30x1.5	40
RN40W	60	22	12	M6	5	-	4.3	M40x1.5	50