

## MR-M ZUE Series

Standard narrow rail type  
End seal, bottom seal, reinforcement plate, lubrication storage.

This product is available in different preload and accuracy classes (see more in Technical Information). Please note that we do not have versions with all preload or accuracy classes on stock.

Dimensions in mm.

See MR-M SS for sizes 3 and 7.

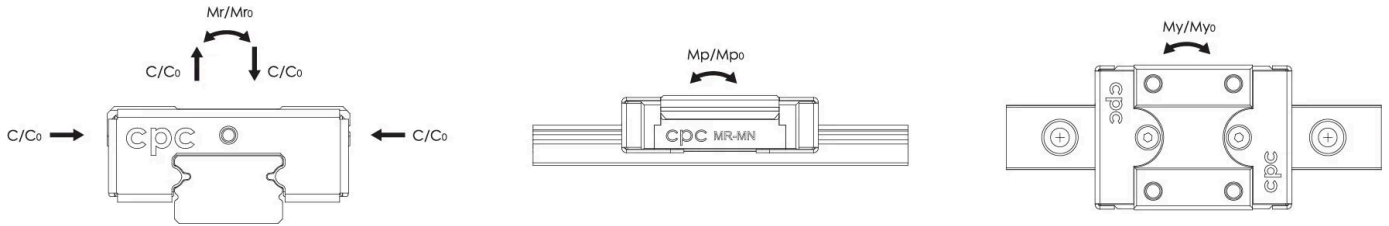
Please note that blocks and rails are not sold separately for sizes 2,3 and 5. Due to the small dimensions, blocks and sliders must be assembled and matched carefully to ensure correct quality and tolerances.

Lead times in the table below are only indications. Choice of preload, accuracy class and other options will affect lead time. Please contact us for exact delivery time for your request.

**Material:** Stainless steel



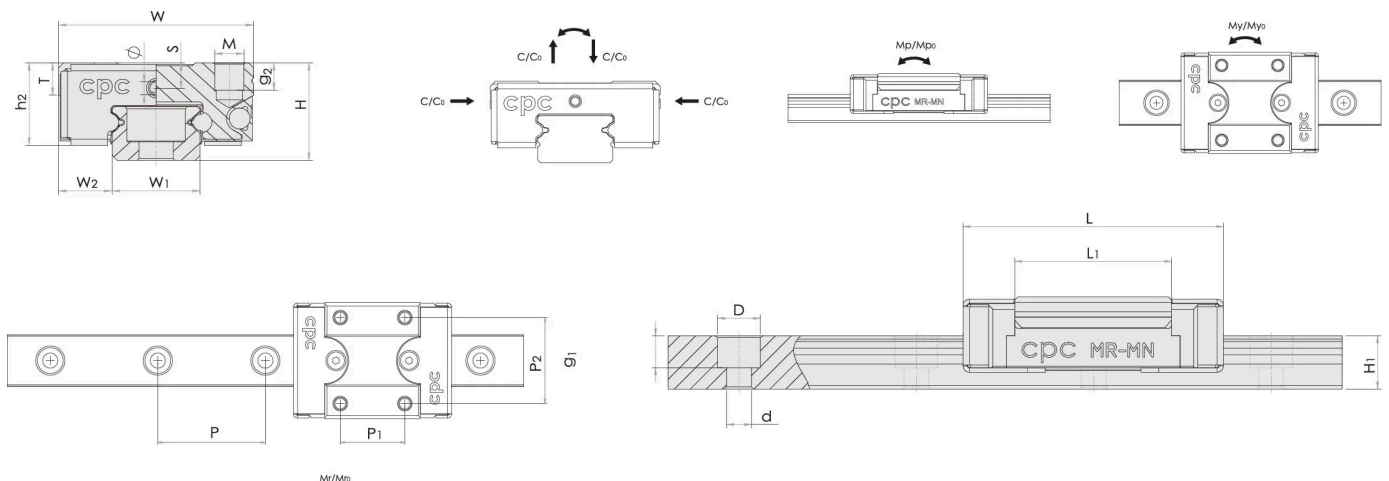
## General Data



Designation	Dynamic Load Capacity C (N)	Static Load Capacity C0 (N)	Static Moment Mr0 (Nm)	Static Moment Mp0 (Nm)	Static Moment My0 (Nm)
MRU2MN-ZU	158	349	0.43	0.54	0.54
MR5MN-ZUE	335	550	1.7	1	1
MR5ML-ZUE	470	900	2.4	2.1	2.1
MR9MN-ZUE	1570	2495	11.7	6.4	6.4
MR9ML-ZUE	2135	3880	18.2	12.4	12.4
MR12MN-ZUE	2308	3465	21.5	12.9	12.9
MR12ML-ZUE	3240	5630	34.9	30.2	30.2
MR15MN-ZUE	3810	5590	43.6	27	27
MR15ML-ZUE	5350	9080	70	63.3	63.3

Designation	Dynamic Moment Mr (Nm)	Dynamic Moment Mp (Nm)	Dynamic Moment My (Nm)	Weight Block (g)
MRU2MN-ZU	0.19	0.24	0.24	0.8
MR5MN-ZUE	1	0.61	0.61	3.5
MR5ML-ZUE	1.25	1.1	1.1	4
MR9MN-ZUE	7.4	4	4	18
MR9ML-ZUE	10	6.8	6.8	28
MR12MN-ZUE	14.3	8.6	8.6	34
MR12ML-ZUE	20.1	17.4	17.4	51
MR15MN-ZUE	29.7	18.4	18.4	61
MR15ML-ZUE	41.2	37.3	37.3	90

## Dimensions



Designation	L	H	W	L1	H1	h2	W1	W2	S
MRU2MN-ZU	12.5	3.2	6	8.8	2	2.6	2	2	-
MR5MN-ZUE	16.8	6	12	10	3.5	5	5	3.5	1.3
MR5ML-ZUE	20.3	6	12	13.5	3.5	5.1	5	3.5	1.3
MR9MN-ZUE	31.9	10	20	20.5	5.5	8.7	9	5.5	2.2
MR9ML-ZUE	42	10	20	30.8	5.5	8.6	9	5.5	2.2
MR12MN-ZUE	37	13	27	22	7.5	11.2	12	7.5	3.2
MR12ML-ZUE	49	13	27	34	7.5	11.1	12	7.5	3.2
MR15MN-ZUE	45.1	16	32	27	9.5	13.3	15	8.5	3.3
MR15ML-ZUE	62	16	32	44	9.5	13.1	15	8.5	3.3

Designation	T	D x d x g1	Hole Pitch (P)	M x g2	P1	P2	ø
MRU2MN-ZU	-	M1	8	M1.4x1.1	4	-	-
MR5MN-ZUE	2	3.5 x 2.4 x 1	15	M2x1.5	-	8	0.7
MR5ML-ZUE	2	3.5 x 2.4 x 1	15	M2.6x2.0	7	-	0.7
MR9MN-ZUE	3.3	6 x 3.5 x 3.5	20	M3x3.0	10	15	1.3
MR9ML-ZUE	3.3	6 x 3.5 x 3.5	20	M3x3.0	16	15	1.3
MR12MN-ZUE	4.3	6 x 3.5 x 4.5	25	M3x3.5	15	20	1.3
MR12ML-ZUE	4.3	6 x 3.5 x 4.5	25	M3x3.5	20	20	1.3
MR15MN-ZUE	4.3	6 x 3.5 x 4.5	40	M3x5.5	20	25	1.8
MR15ML-ZUE	4.3	6 x 3.5 x 4.5	40	M3x5.5	25	25	1.8