

Standard MRU-M Rail

Tapped from bottom.

Dimensions in mm.

Please note that blocks and rails are not sold separately for sizes 2 and 3. Due to the small dimensions, blocks and sliders must be assembled and matched carefully to ensure correct quality and tolerances.

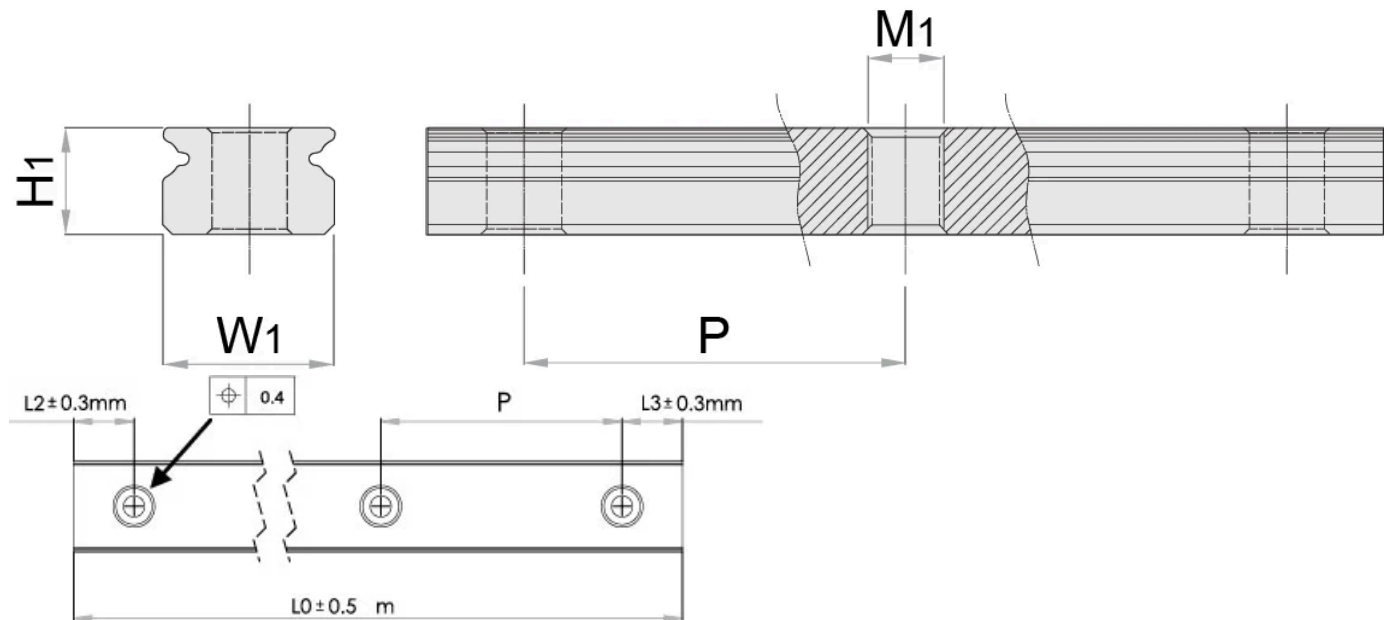
Material: Stainless steel



General Data

Designation	Weight Rail (g/m)
MRU2M	28
MRU3M	53
MRU5M	116
MRU7M	215
MRU9M	301
MRU12M	602
MRU15M	930

Dimensions



Designation	H1	W1	Hole Pitch (P)	M1
MRU2M	-	2	8	M1x0.25
MRU3M	2.6	3	10	M1.6x0.35
MRU5M	3.5	5	15	M3x0.5
MRU7M	4.7	7	15	M3x0.5
MRU9M	5.5	9	20	M4x0.7
MRU12M	7.5	12	25	M4x0.7
MRU15M	9.5	15	40	M4x0.7