

## Wide MRU-W Rail

Tapped from bottom.

Dimensions in mm.

Please note that blocks and rails are not sold separately for sizes 2 and 3. Due to the small dimensions, blocks and sliders must be assembled and matched carefully to ensure correct quality and tolerances.

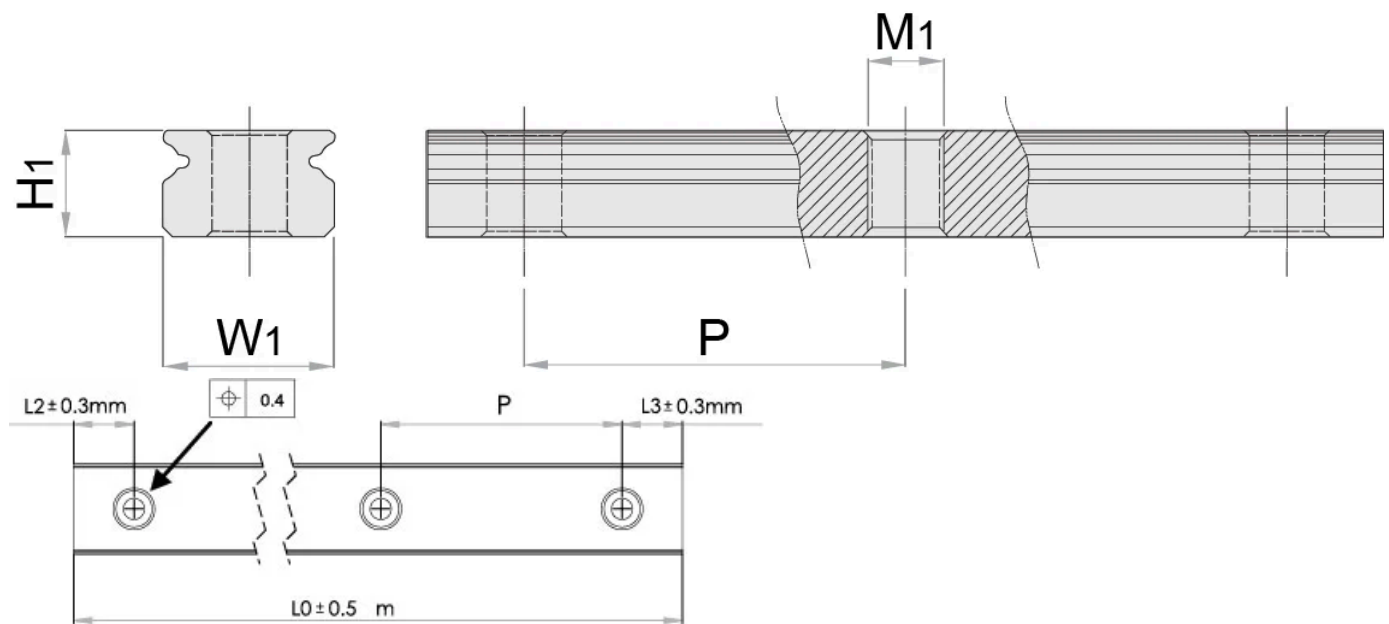
**Material:** Stainless steel



## General Data

| Designation | Weight Rail (g/m) |
|-------------|-------------------|
| MRU3W       | 105               |
| MRU5W       | 280               |
| MRU7W       | 516               |
| MRU9W       | 940               |
| MRU12W      | 1472              |
| MRU15W      | 2818              |

## Dimensions



| Designation | H1  | W1 | Hole Pitch (P) | M1     |
|-------------|-----|----|----------------|--------|
| MRU3W       | 2.7 | 6  | 15             | M3x0.5 |
| MRU5W       | 4   | 10 | 20             | M3x0.5 |
| MRU7W       | 5.2 | 14 | 30             | M4x0.7 |
| MRU9W       | 7.3 | 18 | 30             | M4x0.7 |
| MRU12W      | 8.5 | 24 | 40             | M5x0.8 |
| MRU15W      | 9.5 | 42 | 40             | M5x0.8 |