

SBI SL

Slim block without flange, normal height and standard length.

Side nipple, dustproof end seal and self-lubricant container end seal as option.

* S: Bolt size for bottom mounting type of block

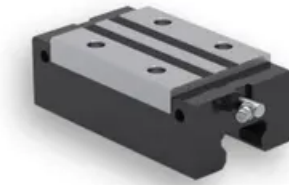
All blocks and rails are also available in Raydent treated material:

- Corrosion resistant
- Patented black surface
- Delivered with steel balls of standard bearing steel.

Stainless steel balls are available on special request and for a few sizes only. Contact Rollco for more information.

Dimensions in mm.

Lead times in the table below are only indications. Choice of preload and other options will affect lead time. Please contact us for exact delivery time for your request.



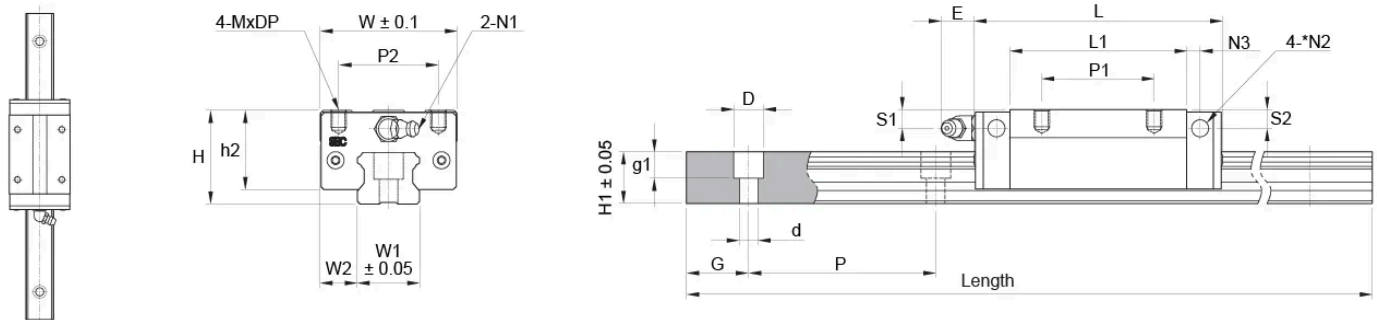
General Data



| Designation | Dynamic Load Capacity C (N) | Static Load Capacity C0 (N) | Static Moment Mr0 (Nm) | Static Moment Mp0 (Nm) | Static Moment My0 (Nm) |
|-------------|-----------------------------|-----------------------------|------------------------|------------------------|------------------------|
| SBI15SL | 14100 | 24100 | 160 | 170 | 170 |
| SBI20SL | 22200 | 38200 | 360 | 330 | 330 |
| SBI25SL | 31500 | 52100 | 560 | 560 | 560 |
| SBI30SL | 42800 | 65400 | 850 | 770 | 770 |
| SBI35SL | 59500 | 89100 | 1420 | 1280 | 1280 |
| SBI45SL | 97200 | 116300 | 2480 | 1900 | 1900 |
| SBI55SL | 127300 | 181800 | 4810 | 2970 | 2970 |
| SBI65SL | 188300 | 261700 | 8240 | 5570 | 5570 |

| Designation | Dynamic Moment Mr (Nm) | Dynamic Moment Mp (Nm) | Dynamic Moment My (Nm) | Weight Block (g) | Weight Rail (g/m) |
|-------------|------------------------|------------------------|------------------------|------------------|-------------------|
| SBI15SL | 94 | 99 | 99 | 190 | 1300 |
| SBI20SL | 209 | 192 | 192 | 410 | 2200 |
| SBI25SL | 339 | 339 | 339 | 690 | 3000 |
| SBI30SL | 556 | 504 | 504 | 1040 | 4250 |
| SBI35SL | 948 | 855 | 855 | 1560 | 6020 |
| SBI45SL | 2073 | 1588 | 1588 | 2800 | 9770 |
| SBI55SL | 3368 | 2080 | 2080 | 4420 | 13720 |
| SBI65SL | 5929 | 4008 | 4008 | 9100 | 23170 |

Dimensions



| Designation | L | H | W | W1 | W2 | L1 | H1 | h2 | S1 |
|-------------|-------|----|-----|----|------|-------|------|------|------|
| SBI15SL | 63.8 | 28 | 34 | 15 | 9.5 | 45.2 | 13 | 25 | 8.5 |
| SBI20SL | 78.8 | 30 | 44 | 20 | 12 | 56.8 | 16.5 | 25.4 | 6 |
| SBI25SL | 92 | 40 | 48 | 23 | 12.5 | 70 | 20 | 34.5 | 10 |
| SBI30SL | 107.6 | 45 | 60 | 28 | 16 | 79.6 | 23 | 38 | 11.5 |
| SBI35SL | 124.6 | 55 | 70 | 34 | 18 | 94.6 | 26 | 47.5 | 15 |
| SBI45SL | 142 | 70 | 86 | 45 | 20.5 | 108 | 32 | 61 | 20.5 |
| SBI55SL | 172.4 | 80 | 100 | 53 | 23.5 | 131 | 38 | 68 | 22 |
| SBI65SL | 219.8 | 90 | 126 | 63 | 31.5 | 170.4 | 53 | 71 | 14 |

| Designation | S2 | D x d x g1 | Hole Pitch (P) | MxDP | N1 | N2 | N3 | P1 | P2 | E |
|-------------|------|-----------------|----------------|--------|---------|-------|-----|----|----|------|
| SBI15SL | 7.8 | 7.5 x 4.5 x 5.5 | 60 | M4x5 | M4x0.7 | Ø 3.5 | 3.8 | 26 | 26 | 5.5 |
| SBI20SL | 5.8 | 9.5 x 6 x 8.5 | 60 | M5x5 | M6x0.75 | Ø 3.5 | 5 | 36 | 32 | 12 |
| SBI25SL | 9 | 11 x 7 x 9 | 60 | M6x8 | M6x0.75 | Ø 3.5 | 5 | 35 | 35 | 12 |
| SBI30SL | 10.8 | 14 x 9 x 12 | 80 | M8x10 | M6x0.75 | Ø 5.7 | 5 | 40 | 40 | 12 |
| SBI35SL | 15 | 14 x 9 x 12 | 80 | M8x10 | M6x0.75 | Ø 5.7 | 6 | 50 | 50 | 12 |
| SBI45SL | 19.3 | 20 x 14 x 17 | 105 | M10x13 | PT1/8 | Ø 5.7 | 6.5 | 60 | 60 | 13.5 |
| SBI55SL | 22 | 23 x 16 x 20 | 120 | M12x18 | PT1/8 | Ø 8.7 | 8 | 75 | 75 | 13 |
| SBI65SL | 14 | 26 x 18 x 22 | 150 | M16x16 | PT1/8 | Ø 8.7 | 10 | 70 | 76 | 13 |

| Designation | G | P | Length |
|-------------|------|-----|--------|
| SBI15SL | 20 | 60 | 3000 |
| SBI20SL | 20 | 60 | 4000 |
| SBI25SL | 20 | 60 | 4000 |
| SBI30SL | 20 | 80 | 4000 |
| SBI35SL | 20 | 80 | 4000 |
| SBI45SL | 22.5 | 105 | 4000 |
| SBI55SL | 30 | 120 | 4000 |
| SBI65SL | 35 | 150 | 4000 |