

Standard Rail SBI

Cut to length acc. to request.
Rails can be joint together for extra long lengths.
Contact Rollco for more information.

Note: If the maximum length exceeds this size please contact Rollco.

All blocks and rails are also available in Raydent treated material:

- Corrosion resistant
 - Patented black surface
 - Delivered with steel balls of standard bearing steel.
- Stainless steel balls are available on special request and for a few sizes only. Contact Rollco for more information.

Dimensions in mm.

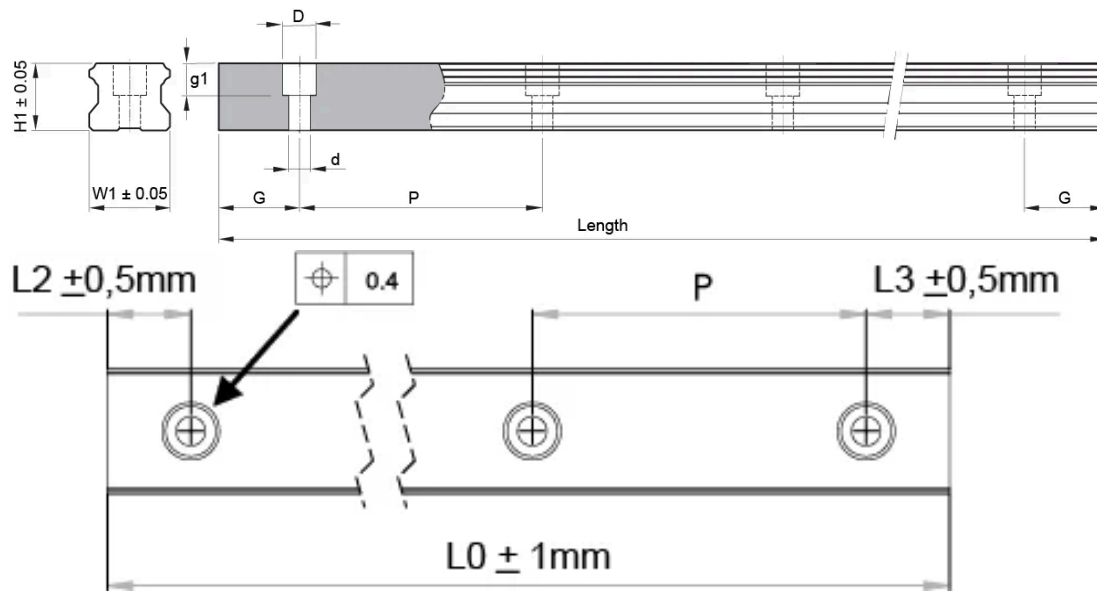
For more information about recommended screw size, strength and tightening torque, see Linear Rail SBI Technical Information.



General Data

Designation	Weight Rail (g/m)	Recommended screw size
SBI15	1300	MC6S M4
SBI20	2200	MC6S M5
SBI25	3000	MC6S M6
SBI30	4250	MC6S M8
SBI35	6020	MC6S M8
SBI45	9770	MC6S M12
SBI55	13720	MC6S M14
SBI65	23170	MC6S M16

Dimensions



Designation	W1	H1	D x d x g1	Hole Pitch (P)	G	Length
SBI15	15	13	7.5 x 4.5 x 5.5	60	20	3000
SBI20	20	16.5	9.5 x 6 x 8.5	60	20	4000
SBI25	23	20	11 x 7 x 9	60	20	4000
SBI30	28	23	14 x 9 x 12	80	20	4000
SBI35	34	26	14 x 9 x 12	80	20	4000
SBI45	45	32	20 x 14 x 17	105	22.5	4000
SBI55	53	38	23 x 16 x 20	120	30	4000
SBI65	63	53	26 x 18 x 22	150	35	4000