

## MK Clamping Element

Pneumatic Clamping element, designed to be used for holding a position when using Linear Rail Guides. Energize to close (NO).

Compatible with Linear Rail SBI only.

Because of the height difference of different rail guide blocks and to ensure the proper function of the MK Clamping Elements, the use of adapter plates is sometimes needed. See document "Clamping Elements & Accessories" for individual block types and whether an adapter plate is needed.

Dimensions in mm.

More types are available, contact Rollco for further information.

**Temperature:** From -10 to 70°C

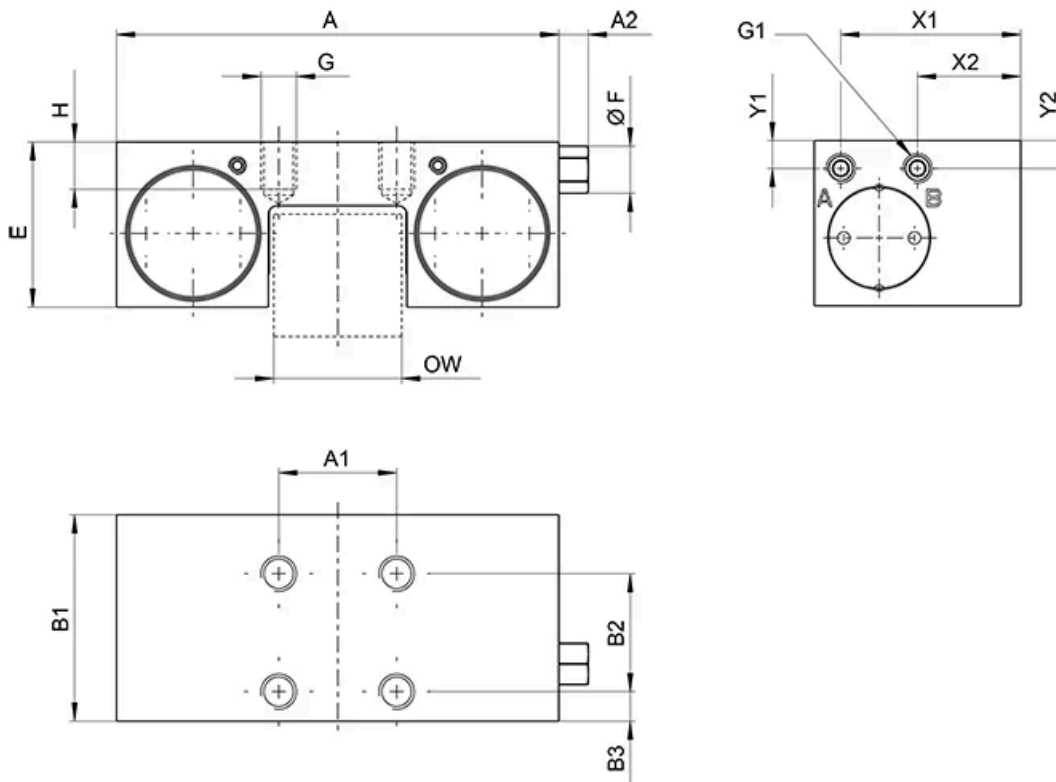


## General Data

Designation	Compatible with	Fixing force (N)	Min. operating pressure (bar)	Operating pressure (bar)	Max. Operating Pressure (bar)
MK1501A	SBI15, SBI15-B	650	2	6	6.5
MK2001A	SBI20, SBI20-B	1000	2	6	6.5
MK2501A	SBI25, SBI25-B	1200	2	6	6.5
MK3001A	SBI30, SBI30-B	1750	2	6	6.5
MK3501A	SBI35, SBI35-B	2000	2	6	6.5
MK4501A	SBI45, SBI45-B	2250	2	6	6.5
MK5501A	SBI55, SBI55-B	2250	2	6	6.5
MK6501A	SBI65, SBI65-B	2250	2	6	6.5

Designation	Installation way	PLUS-connection	Weight (kg)
MK1501A	from above	not possible	0.24
MK2001A	from above	not possible	0.3
MK2501A	from above	not possible	0.34
MK3001A	from above	not possible	0.61
MK3501A	from above	not possible	0.69
MK4501A	from above	not possible	1.3
MK5501A	from above	not possible	1.6
MK6501A	from above	not possible	2.4

## Dimensions



Designation	OW	A	E	A1	A2	B1	B2	B3	G
MK1501A	15	55	21.5	15	5	39	15	15.5	M4
MK2001A	20	66	25.5	20	6	39	20	5	M5
MK2501A	23	75	28	20	5	35	20	5	M6
MK3001A	28	90	35	22	5	39	22	8.5	M8
MK3501A	34	100	36.5	24	5	39	24	7.5	M8
MK4501A	45	120	43.5	26	5	49	26	11.5	M10
MK5501A	53	128	48.5	30	5	49	30	9.5	M10
MK6501A	63	138	63	30	5	49	30	9.5	M10

Designation	H	F	G1 (air connection)	X1 (air filter horizontal / mm)	Y1 (air filter vertical / mm)	X2 (air connection horizontal / mm)	Y2 (air connection vertical / mm)
MK1501A	4.5	8	M5	34	17	34	6.1
MK2001A	5.5	8	M5	34	6	17.1	6
MK2501A	8	8	M5	30.5	4.7	17.5	4.7
MK3001A	10	8	M5	24.5	5.2	14.5	5.2
MK3501A	10	8	M5	20	5.2	9	5.2
MK4501A	15	8	M5	29.5	11	19.5	11
MK5501A	18	8	M5	29.5	14.5	19.5	14.5
MK6501A	15	5	M5	37	32	20	30