

SBI HL/HLS/CL/CLS Raydent

Low height block without flange. Side-nipple, dustproof end seal and self-lubricant container end seal as option.

* S: Bolt size for bottom mounting type of block

Blocks and rails are in Raydent treated material:

- Corrosion resistant
 - Patented black surface
 - Delivered with steel balls of standard bearing steel.
- Stainless steel balls are available on special request and for a few sizes only. Contact Rollco for more information.

Dimensions in mm.

Lead times in the table below are only indications. Choice of preload and other options will affect lead time. Please contact us for exact delivery time for your request.

Note! Remember to choose Raydent under Surface Treatment when configuring your product.



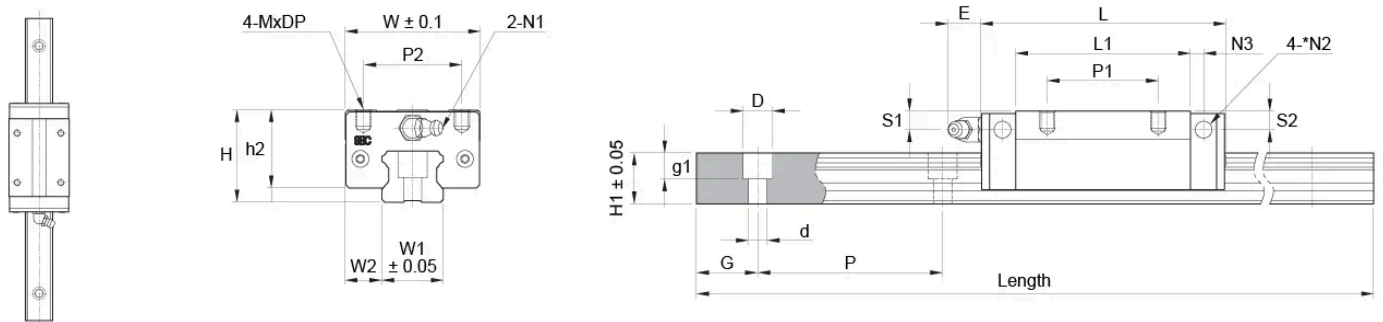
General Data



Designation	Dynamic Load Capacity C (N)	Static Load Capacity C0 (N)	Static Moment Mr0 (Nm)	Static Moment Mp0 (Nm)	Static Moment My0 (Nm)
SBI15HL-R	14100	24100	160	170	170
SBI15HLS-R	12300	18300	130	80	80
SBI20CL-R	22200	38200	360	330	330
SBI20CLS-R	19100	27000	270	150	150
SBI25CL-R	31500	52100	560	560	560
SBI25HL-R	31500	52100	560	560	560
SBI30HL-R	42800	65400	850	770	770
SBI35HL-R	59500	89100	1420	1280	1280
SBI45HL-R	79200	116300	2480	1900	1900
SBI55HL-R	127300	181800	4810	2970	2970

Designation	Dynamic Moment Mr (Nm)	Dynamic Moment Mp (Nm)	Dynamic Moment My (Nm)	Weight Block (g)	Weight Rail (g/m)
SBI15HL-R	94	99	99	190	1300
SBI15HLS-R	87	54	54	150	1300
SBI20CL-R	209	192	192	390	2200
SBI20CLS-R	191	106	106	230	2200
SBI25CL-R	339	339	339	660	3000
SBI25HL-R	339	339	339	690	3000
SBI30HL-R	556	504	504	1040	4250
SBI35HL-R	948	855	855	1560	6020
SBI45HL-R	1689	1294	1294	2800	9770
SBI55HL-R	3368	2080	2080	4420	13720

Dimensions



Designation	L	H	W	W1	W2	L1	H1	h2	S1
SBI15HL-R	63.8	24	34	15	9.5	45.2	13	21	4.5
SBI15HLS-R	56.8	24	34	15	9.5	38.2	13	21	4.5
SBI20CL-R	78.8	28	44	20	12	56.8	16.5	23.4	4.8
SBI20CLS-R	65.2	28	42	20	11	43.2	16.5	23.4	4.8
SBI25CL-R	92	33	48	23	12.5	70	20	27.5	5.4
SBI25HL-R	92	36	48	23	12.5	70	20	30.5	6
SBI30HL-R	107.6	42	60	28	16	79.6	23	35	8.5
SBI35HL-R	124.6	48	70	34	18	94.6	26	40.5	8
SBI45HL-R	142	60	86	45	20.5	108	32	51	10.5
SBI55HL-R	172.4	70	100	53	23.5	131	38	58	12

Designation	S2	D x d x g1	Hole Pitch (P)	MxDP	N1	N2	N3	P1	P2	E
SBI15HL-R	3.8	7.5 x 4.5 x 5.5	60	M4x4	M4x0.7	Ø 3.5	3.8	26	26	5.5
SBI15HLS-R	3.8	7.5 x 4.5 x 5.5	60	M4x4	M4x0.7	Ø 3.5	3.8	26	26	5.5
SBI20CL-R	4	9.5 x 6 x 8.5	60	M5x5	M6x0.75	Ø 3.5	5	32	32	12
SBI20CLS-R	4.3	9.5 x 6 x 8.5	60	M5x5	M6x0.75	Ø 3.5	5	32	32	12
SBI25CL-R	5.4	11 x 7 x 9	60	M6x6	M6x0.75	Ø 3.5	5	35	35	12
SBI25HL-R	5	11 x 7 x 9	60	M6x6	M6x0.75	Ø 3.5	5.5	35	35	12
SBI30HL-R	7.8	14 x 9 x 12	80	M8x8	M6x0.75	Ø 5.7	5	40	40	12
SBI35HL-R	8	14 x 9 x 12	80	M8x8	M6x0.75	Ø 5.7	6	50	50	12
SBI45HL-R	9.3	20 x 14 x 17	105	M10x10	PT1/8	Ø 5.7	6.5	60	60	13.5
SBI55HL-R	12	23 x 16 x 20	120	M12x12	PT1/8	Ø 8.7	8	75	75	13

Designation	G	P	Length
SBI15HL-R	20	60	3000
SBI15HLS-R	20	60	3000
SBI20CL-R	20	60	4000
SBI20CLS-R	20	60	4000
SBI25CL-R	20	60	4000
SBI25HL-R	20	60	4000
SBI30HL-R	20	80	4000
SBI35HL-R	20	80	4000
SBI45HL-R	22.5	105	4000
SBI55HL-R	30	120	4000