

## SBI HLL/CLL Raydent

Long, low height block without flange. Side nipple, dustproof end seal and self-lubricant container end seal as option.

\* S: Bolt size for bottom mounting type of block

Blocks and rails are in Raydent treated material:

- Corrosion resistant
- Patented black surface
- Delivered with steel balls of standard bearing steel.

Stainless steel balls are available on special request and for a few sizes only. Contact Rollco for more information.

Dimensions in mm.

Lead times in the table below are only indications. Choice of preload and other options will affect lead time. Please contact us for exact delivery time for your request.

Note! Remember to choose Raydent under Surface Treatment when configuring your product.



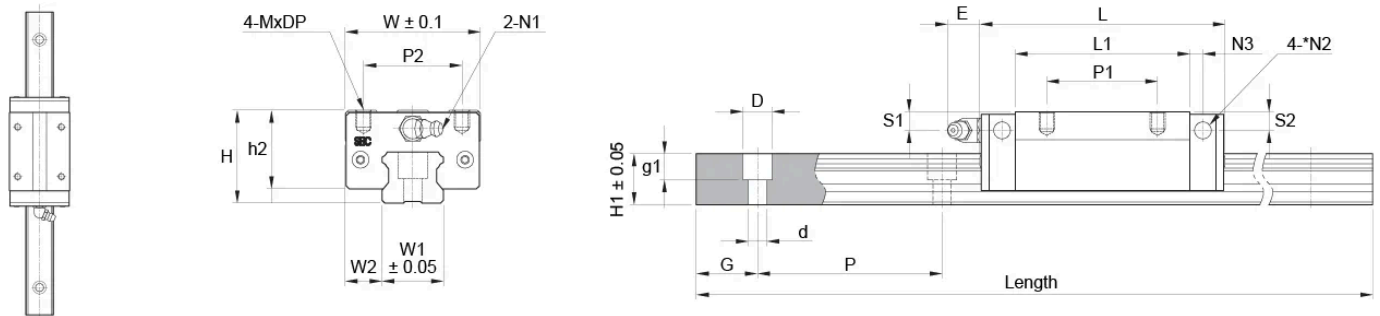
## General Data



Designation	Dynamic Load Capacity C (N)	Static Load Capacity C0 (N)	Static Moment Mr0 (Nm)	Static Moment Mp0 (Nm)	Static Moment My0 (Nm)
SBI15HLL-R	17100	31700	210	290	290
SBI20CLL-R	27900	50000	470	560	560
SBI25CLL-R	36700	64400	690	840	840
SBI25HLL-R	36700	64400	690	840	840
SBI30HLL-R	51300	84700	1100	1300	1300
SBI35HLL-R	71300	115300	1830	2120	2120
SBI45HLL-R	94800	150500	3210	3140	3140
SBI55HLL-R	147900	224500	5950	4780	4780

Designation	Dynamic Moment Mr (Nm)	Dynamic Moment Mp (Nm)	Dynamic Moment My (Nm)	Weight Block (g)	Weight Rail (g/m)
SBI15HLL-R	113	156	156	260	1300
SBI20CLL-R	262	312	312	520	2200
SBI25CLL-R	393	479	479	820	3000
SBI25HLL-R	393	479	479	850	3000
SBI30HLL-R	666	787	787	1370	4250
SBI35HLL-R	1132	1311	1311	2040	6020
SBI45HLL-R	2022	1978	1978	3690	9770
SBI55HLL-R	3920	3149	3149	5820	13720

## Dimensions



Designation	L	H	W	W1	W2	L1	H1	h2	S1
SBI15HLL-R	79.4	24	34	15	9.5	60.8	13	21	4.5
SBI20CLL-R	96.4	28	44	20	12	74.4	16.5	23.4	4.8
SBI25CLL-R	108	33	48	23	12.5	86	20	27.5	5.4
SBI25HLL-R	108	36	48	23	12.5	86	20	30.5	6
SBI30HLL-R	131.6	42	60	28	16	103.6	23	35	8.5
SBI35HLL-R	152.6	48	70	34	18	122.6	26	40.5	8
SBI45HLL-R	174	60	86	45	20.5	140	32	51	10.5
SBI55HLL-R	211.8	70	100	53	23.5	170.4	38	58	12

Designation	S2	D x d x g1	Hole Pitch (P)	MxDP	N1	N2	N3	P1	P2	E
SBI15HLL-R	3.8	7.5 x 4.5 x 5.5	60	M4x4	M4x0.7	Ø 3.5	3.8	34	26	5.5
SBI20CLL-R	4	9.5 x 6 x 8.5	60	M5x5	M6x0.75	Ø 3.5	5	50	32	12
SBI25CLL-R	5.4	11 x 7 x 9	60	M6x6	M6x0.75	Ø 3.5	5	50	35	12
SBI25HLL-R	5	11 x 7 x 9	60	M6x6	M6x0.75	Ø 3.5	5.5	50	35	12
SBI30HLL-R	7.8	14 x 9 x 12	80	M8x8	M6x0.75	Ø 5.7	5	60	40	12
SBI35HLL-R	8	14 x 9 x 12	80	M8x8	M6x0.75	Ø 5.7	6	72	50	12
SBI45HLL-R	9.3	20 x 14 x 17	105	M10x10	PT1/8	Ø 5.7	6.5	80	60	13.5
SBI55HLL-R	12	23 x 16 x 20	120	M12x12	PT1/8	Ø 8.7	8	95	75	13

Designation	G	P	Length
SBI15HLL-R	20	60	3000
SBI20CLL-R	20	60	4000
SBI25CLL-R	20	60	4000
SBI25HLL-R	20	60	4000
SBI30HLL-R	20	80	4000
SBI35HLL-R	20	80	4000
SBI45HLL-R	22.5	105	4000
SBI55HLL-R	30	120	4000