

SBI SV Raydent

Super short block without flange. Side-nipple, dustproof end seal and self-lubricant container end seal as option.

* S: Bolt size for bottom mounting type of block

Blocks and rails are in Raydent treated material:

- Corrosion resistant
 - Patented black surface
 - Delivered with steel balls of standard bearing steel.
- Stainless steel balls are available on special request and for a few sizes only. Contact Rollco for more information.

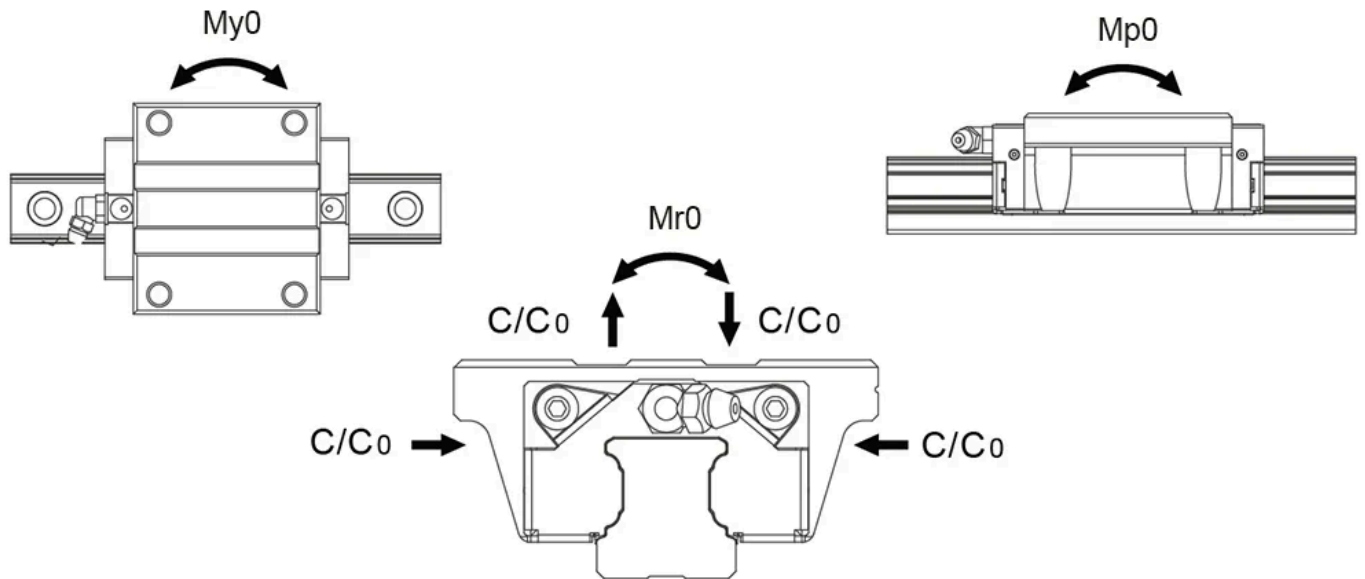
Dimensions in mm.

Lead times in the table below are only indications. Choice of preload and other options will affect lead time. Please contact us for exact delivery time for your request.

Note! Remember to choose Raydent under Surface Treatment when configuring your product.



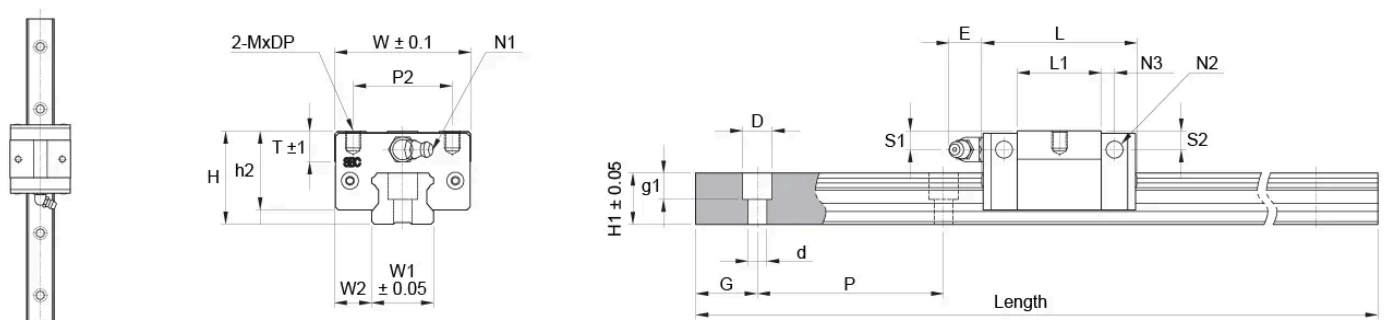
General Data



Designation	Dynamic Load Capacity C (N)	Static Load Capacity C0 (N)	Static Moment Mr0 (Nm)	Static Moment Mp0 (Nm)	Static Moment My0 (Nm)
SBI15SV-R	5800	12800	40	30	30
SBI20SV-R	9400	20200	120	100	100
SBI25SV-R	12400	26100	190	170	170

Designation	Dynamic Moment Mr (Nm)	Dynamic Moment Mp (Nm)	Dynamic Moment My (Nm)	Weight Block (g)	Weight Rail (g/m)
SBI15SV-R	18	14	14	100	1300
SBI20SV-R	56	47	47	240	2200
SBI25SV-R	90	81	81	370	3000

Dimensions



Designation	L	H	W	W1	W2	L1	H1	h2	S1
SBI15SV-R	39.9	24	34	15	9.5	21.3	13	21	4.5
SBI20SV-R	49.1	28	44	20	12	27.1	16.5	23.4	4.8
SBI25SV-R	52.6	33	48	23	12.5	30.6	20	27.5	5.4

Designation	S2	D x d x g1	Hole Pitch (P)	MxDP	N1	N2	N3	P2	E	G
SBI15SV-R	3.8	7.5 x 4.5 x 5.5	60	M4x4	M4x0.7	Ø 3.5	3.4	26	5.5	20
SBI20SV-R	4	9.5 x 6 x 8.5	60	M5x5	M6x0.75	Ø 3.5	5	32	12	20
SBI25SV-R	5.4	11 x 7 x 9	60	M6x6	M6x0.75	Ø 3.5	5	35	12	20

Designation	P	T	Length
SBI15SV-R	60	6	3000
SBI20SV-R	60	7.8	4000
SBI25SV-R	60	9	4000