

## Bottom Mounting Rail SBI-B Raydent

Cut to length acc. to request.  
Rails can be joint together for extra long lengths.  
Contact Rollco for more information.

Note: If the maximum length exceeds this size please contact Rollco.

Blocks and rails are in Raydent treated material:

- Corrosion resistant
  - Patented black surface
  - Delivered with steel balls of standard bearing steel.
- Stainless steel balls are available on special request and for a few sizes only. Contact Rollco for more information.

Dimensions in mm.

For more information about recommended screw size, strength and tightening torque, see Linear Rail SBI Technical Information.

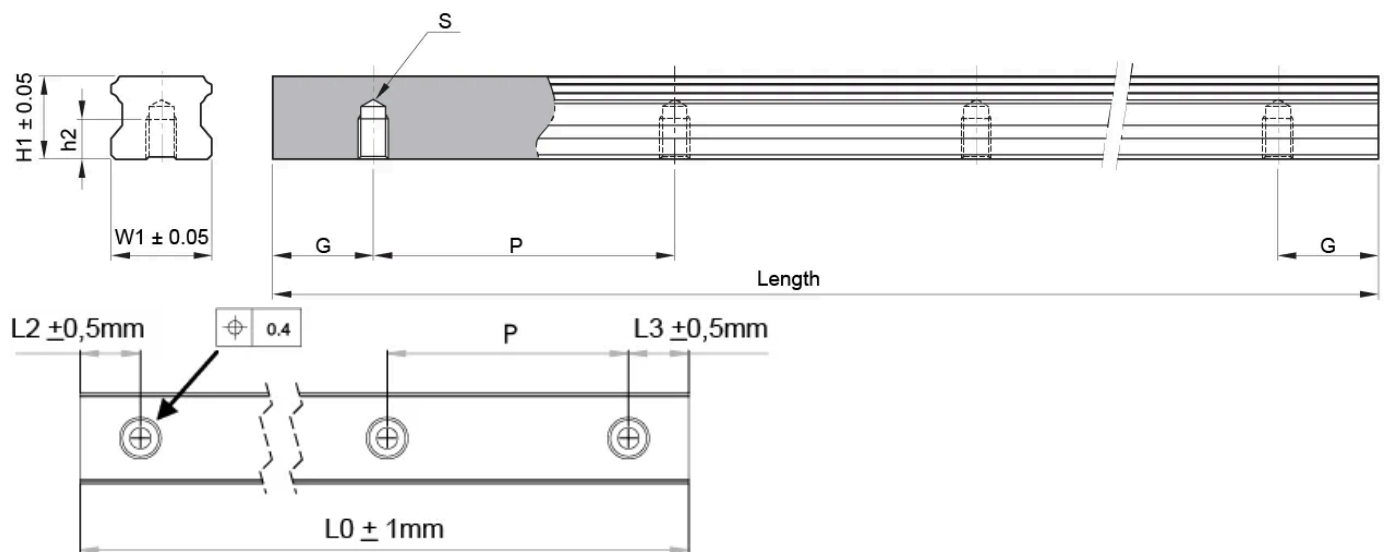
Note! Remember to choose Raydent under Surface Treatment when configuring your product.



## General Data

Designation	Weight Rail (g/m)
SBI15-B-R	1390
SBI20-B-R	2370
SBI25-B-R	3260
SBI30-B-R	4630
SBI35-B-R	6450
SBI45-B-R	10490

## Dimensions



Designation	W1	H1	h2	Hole Pitch (P)	G	S	Length
SBI15-B-R	15	13	8	60	20	M5	3000
SBI20-B-R	20	16.5	9	60	20	M6	4000
SBI25-B-R	23	20	9	60	20	M6	4000
SBI30-B-R	28	23	12	80	20	M8	4000
SBI35-B-R	34	26	12	80	20	M8	4000
SBI45-B-R	45	32	18	105	22.5	M12	4000