

## HRC Rail

Counterbore from above.  
Cut to length acc. to request.  
Rails can be joint together for extra long lengths.  
Contact Rollco for more information.

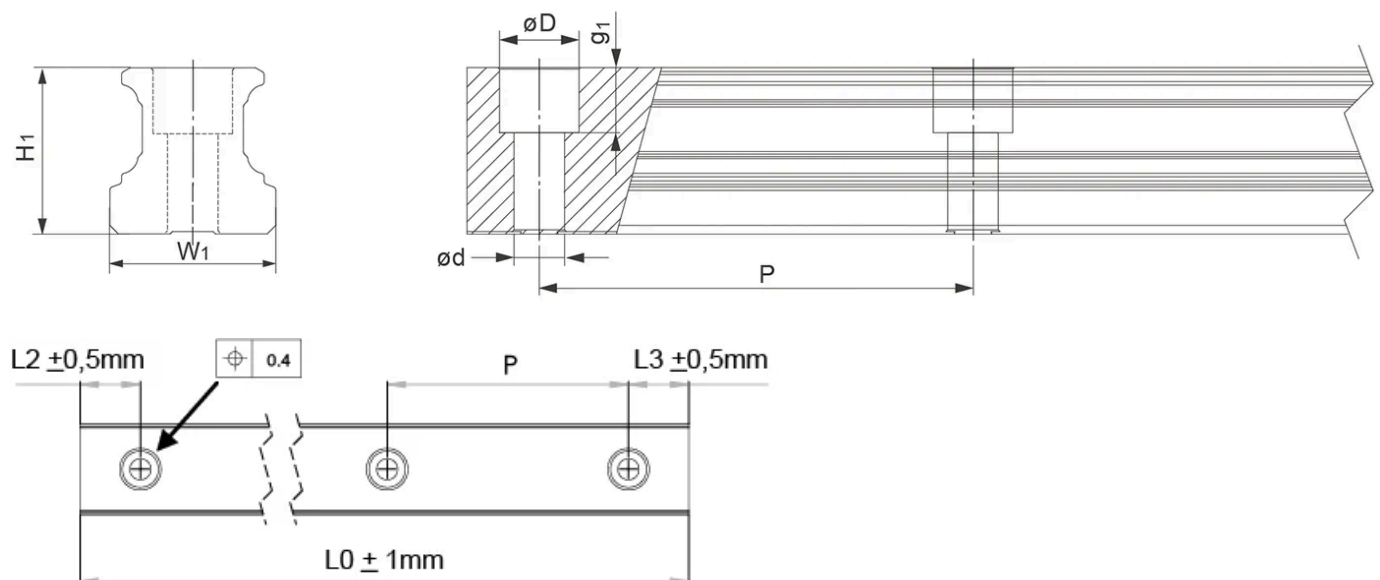
Dimensions in mm.



## General Data

Designation	Length (mm)	Weight Rail (g/m)
HRC15	4000	1290
HRC20	4000	2280
HRC25	4000	3020
HRC30	4000	4380
HRC35	4000	6790
HRC45	4000	10530
HRC55	4000	14000

## Dimensions



Designation	H1	W1	D x d x g1	Hole Pitch (P)
HRC15	15	15	7.5 x 4.5 x 5.3	60
HRC20	20	20	9.5 x 6 x 8.5	60
HRC25	23	23	11 x 7 x 9	60
HRC30	27	28	14 x 9 x 12	80
HRC35	32	34	14 x 9 x 12	80
HRC45	39	45	20 x 14 x 17	105
HRC55	45.7	53	24 x 16 x 20	120