

## MK Clamping Element

Pneumatic clamping element, designed to be used for holding a position when using linear rail guides. Energize to close (NO).

Compatible with Linear Rail HRC/ARC/ERC only.

Because of the height difference of different rail guide blocks and to ensure the proper function of the MK Clamping Elements, the use of adapter plates is sometimes needed. See document "Selection of Clamping Elements" for individual block types and whether an adapter plate is needed.

Dimensions in mm.

For other types contact Rollco.

**Temperature range (°C):** From -10 to 70°C

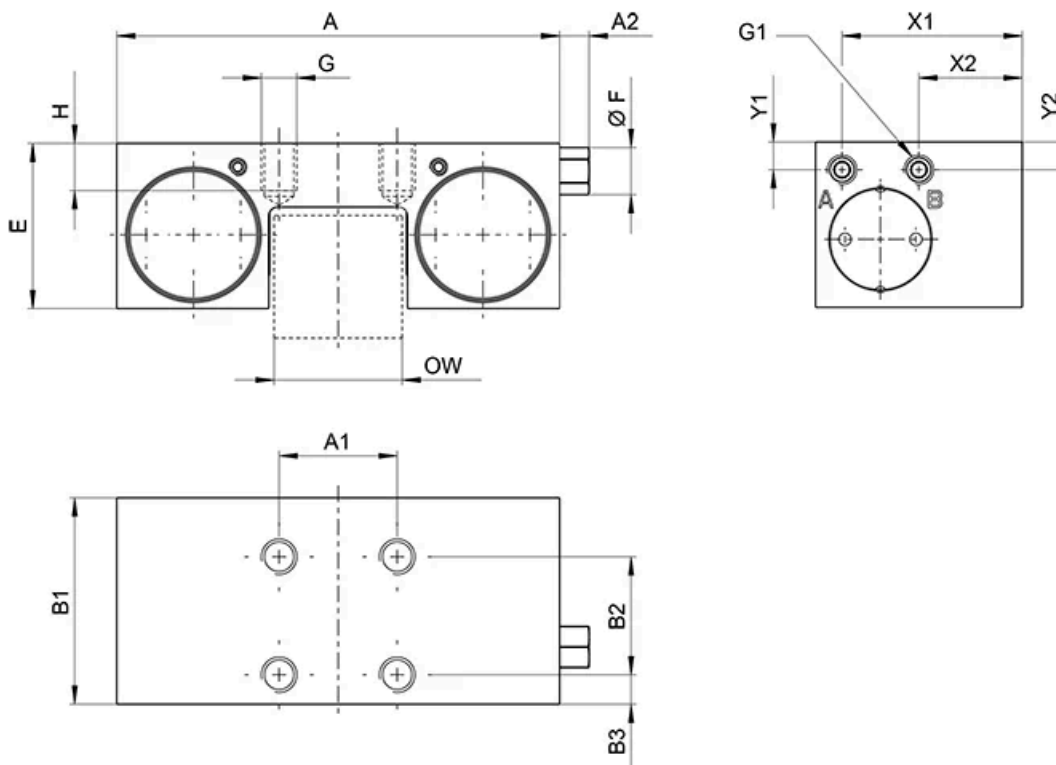


## General Data

Designation	Compatible with	Fixing force (N)	Min. operating pressure (bar)	Operating pressure (bar)	Max. Operating Pressure (bar)
MK1514D	HRC15, HRU15	650	2	6	6.5
MK2014D	HRC20, HRU20	700	2	6	6.5
MK2514D	HRC25, HRU25	1200	2	6	6.5
MK3005A	HRC30, HRU30	1750	2	6	6.5
MK3514D	HRC35, HRU35	2000	2	6	6.5
MK4514D	HRC45, HRU45	2250	2	6	6.5

Designation	Installation way	PLUS-connection	Weight (kg)
MK1514D	from the front	not possible	0.24
MK2014D	from above	not possible	0.28
MK2514D	from above	not possible	0.34
MK3005A	from above	not possible	0.59
MK3514D	from above	not possible	0.70
MK4514D	from above	not possible	1.30

## Dimensions



Designation	OW	A	E	A1	A2	B1	B2	B3	G
MK1514D	13	55	21.5	15	5	39	15	15.5	M4
MK2014D	16.75	66	24.5	20	6	39	20	10	M5
MK2514D	19.75	75	28	20	5	35	20	5	M6
MK3005A	24.6	90	35	22	5	39	22	8.5	M8

Designation	OW	A	E	A1	A2	B1	B2	B3	G
MK3514D	31.8	100	36.5	24	5	39	24	7.5	M8
MK4514D	42	120	43.5	26	5	49	26	11.5	M10

Designation	H	F	G1 (air connection)	X1 (air filter horizontal / mm)	Y1 (air filter vertical / mm)	X2 (air connection horizontal / mm)	Y2 (air connection vertical / mm)
MK1514D	4.5	8	M5	34	17	34	6.1
MK2014D	4.2	8	M5	35	21	34	5.2
MK2514D	8	8	M5	30.5	4.7	17.5	4.7
MK3005A	7	8	M5	24.5	5.2	14.5	5.2
MK3514D	10	8	M5	20	5.2	9	5.2
MK4514D	15	8	M5	29.5	11	19.5	11