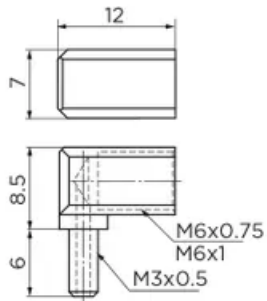


Optional L-type adapter

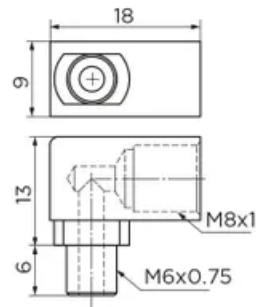
When external NBR seal is chosen (SN), please use long L-type adapter.



OB-M3-M6

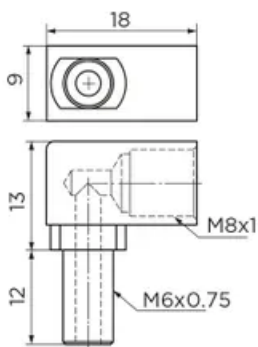


OB-M6-M8



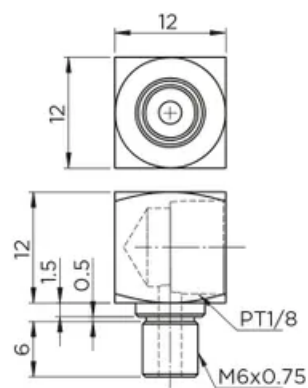
Ø 4 Oil hole grease injector available

OB-M6-M8-L

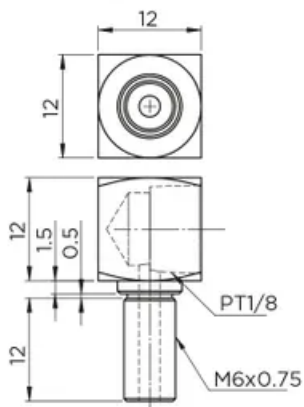


Ø 4 Oil hole grease injector available

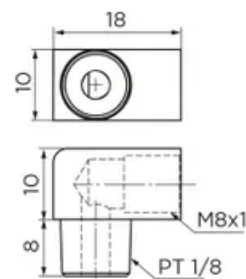
OB-M6-PT1/8



OB-M6-PT1/8- L

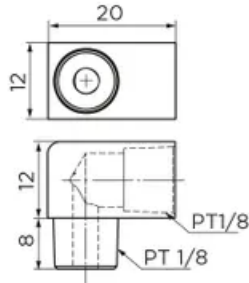


OB-PT1/8-M8



Ø 4 Oil hole grease injector available

OB-PT1/8-PT1/8



Port sizes for grease nipple

| Type | Port size | | Top o-ring size |
|----------------|-----------|------|-----------------|
| | Front | Side | |
| HRC/ARC 15 | M3 | M3 | P3 |
| HRC/ARC 20 | M3 | M3 | P4 |
| HRC/ARC/ERC 25 | M6 | M3 | P4 |
| HRC/ARC 30 | M6 | M6 | P5 |
| HRC/ARC 35 | M6 | M6 | P5 |
| HRC/ARC 45 | PT1/8 | M6 | P5 |
| HRC/ARC 55 | M6 | M6 | P5 |
| WRC 21/15 | M3 | M3 | P3 |
| WRC 27/20 | M3 | M3 | P4 |

General Data

| Designation | Compatible with | Remark | Thread | Type |
|----------------|----------------------------|-----------------------------------|---------|--------|
| OB-M3-M6 | Block size 15 & 20 | - | M3x0.5 | Normal |
| OB-M6-M8 | Block size 25, 30, 35 & 55 | - | M6x0.75 | Normal |
| OB-M6-M8-L | Block size 25, 30, 35 & 55 | For block with external seal (SN) | M6x0.75 | Long |
| OB-M6-PT1/8 | Block size 30, 35 & 55 | - | M6x0.75 | Normal |
| OB-M6-PT1/8- L | Block size 30, 35 & 55 | For block with external seal (SN) | M6x0.75 | Long |
| OB-PT1/8-M8 | Block size 45 | - | PT 1/8 | Normal |
| OB-PT1/8-PT1/8 | Block size 45 | - | PT 1/8 | Normal |