

Rail

SBTE: Standard zinc plated steel

SXTE: Stainless steel (AISI304)

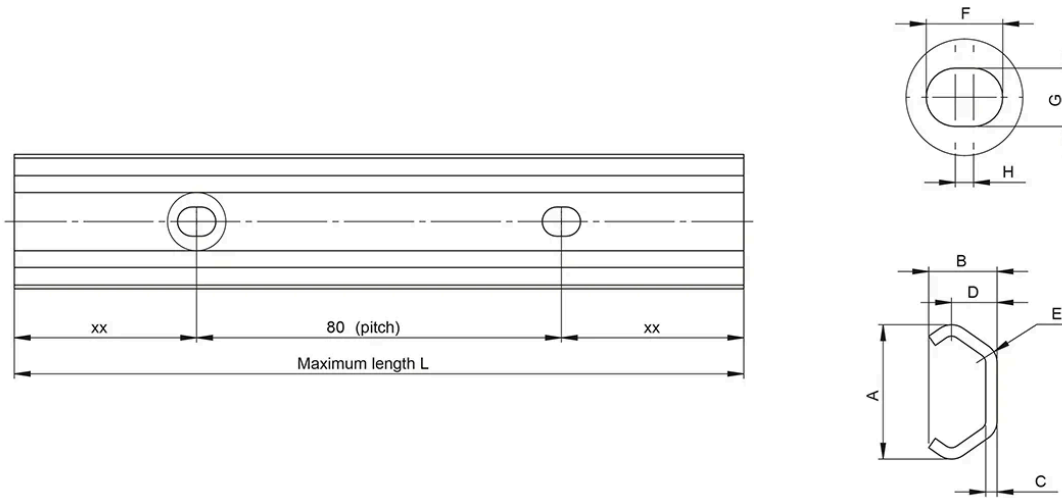
Special lengths are available upon request. Please contact Rollco for more information.



General Data

Designation	Remark	Material	Weight (kg/m)
SXTE20	Fixing screws C20-M4x8	Stainless steel	0.47
SXTE30	Fixing screws C30-M5x10	Stainless steel	0.90
SBTE45	Fixing screws C45-M8x16	Standard zinc plated steel	2.29
SXTE45	Fixing screws C45-M8x16	Stainless steel	2.29

Dimensions



Designation	A	B	C	D	E	F	G	H	L
SXTE20	19.2	10	2	7	3	7	5	2	4000
SXTE30	29.5	15	2.5	10	4.5	8.4	6.4	2	4000
SBTE45	45.7	24.5	4	15.5	6	11	9	2	6080
SXTE45	45.7	24.5	4	15.5	6	11	9	2	6080