

Rollers CRPN-CRPA

Available individually in all sizes as eccentric or concentric rollers. Crowned roller for K-rail.

Roller seals: Standard 2Z (2ZR for size 63) is the steel cover disc, which is supplied on all standard sliders.

For dusty environment and splash-proof applications, 2RS rubber seal rollers are available.

Rollers are lubricated for life.



Dimensions in mm.

Material: Steel 100Cr6. Also available in stainless steel AISI 440.

General Data

Designation	Size	Roller type	Material
CRPN43-2Z	43	Concentric	Steel
CRXPNX43-2RS	43	Concentric	Stainless steel
CRPA43-2Z	43	Eccentric	Steel
CRXPAX43-2RS	43	Eccentric	Stainless steel
CRPN63-2ZR	63	Concentric	Steel
CRXPNX63-2RS	63	Concentric	Stainless steel
CRPA63-2ZR	63	Eccentric	Steel
CRXPAX63-2RS	63	Eccentric	Stainless steel

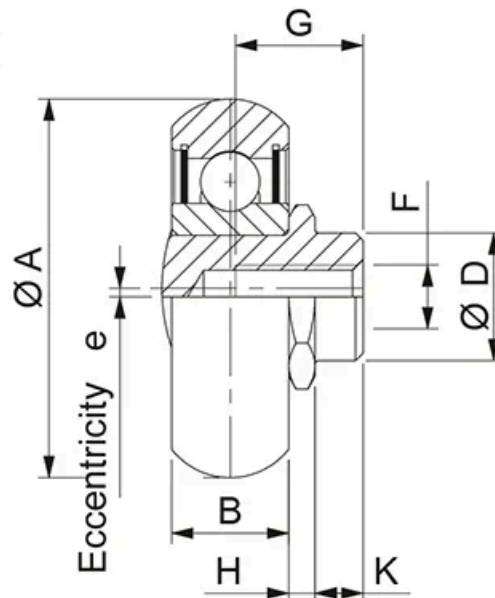
Dimensions

Version

Crowned (K-rail)

CRPN
Concentric roller

CRPA
Eccentric roller



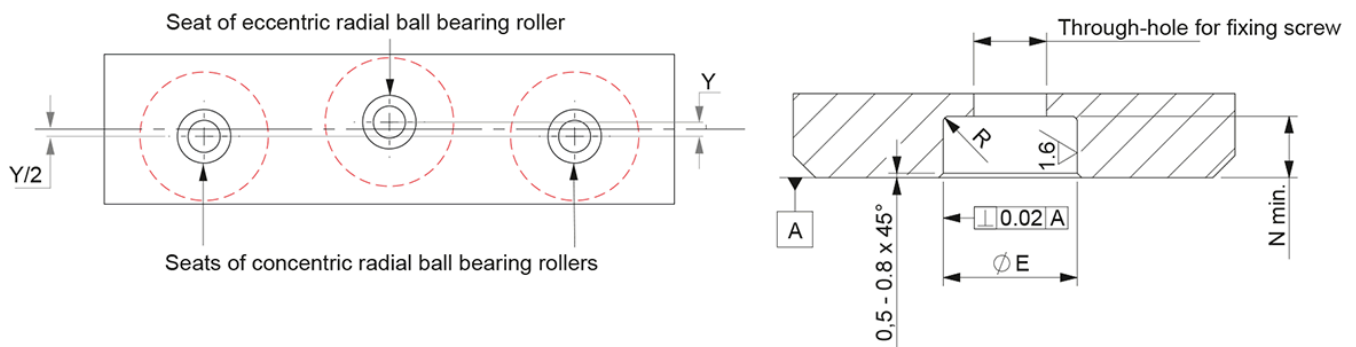
Designation	A	B	D	e	H	G	F	K
CRPN43-2Z	35.6	11	12	-	2.5	12	M6	4.5
CRXPNX43-2RS	35.6	11	12	-	2.5	12	M6	4.5
CRPA43-2Z	35.6	11	12	0.8	2.5	12	M6	4.5
CRXPAX43-2RS	35.6	11	12	0.8	2.5	12	M6	4.5
CRPN63-2ZR	49.7	17.5	18	-	2.3	16	M8	6
CRXPNX63-2RS	49.7	17.5	18	-	2.3	16	M8	6
CRPA63-2ZR	49.7	17.5	18	1.2	2.3	16	M10	6
CRXPAX63-2RS	49.7	17.5	18	1.2	2.3	16	M10	6

Load & Weight

Designation	C (N)	C0rad (N)	Weight (kg)
CRPN43-2Z	6140	2550	0.06
CRXPNX43-2RS	6140	2550	0.06
CRPA43-2Z	6140	2550	0.06

Designation	C (N)	C0rad (N)	Weight (kg)
CRXPAX43-2RS	6140	2550	0.06
CRPN63-2ZR	15375	5775	0.19
CRXPNX63-2RS	15375	5775	0.19
CRPA63-2ZR	15375	5775	0.19
CRXPAX63-2RS	15375	5775	0.19

Assembly Dimensions & Tolerances



When installing Radial ball bearing rollers on your own structure we advise:

- Using a maximum of 2 concentric radial ball bearing rollers.
- Offset the seats of the concentric radial ball bearing rollers with respect to those of the eccentric radial ball bearing rollers according to the information below.

Designation	Y	E	N min.	Radius R
CRPN43-2Z	0.72	12 + 0.05/+0.02	5.5	1
CRXPNX43-2RS	0.72	12 + 0.05/+0.02	5.5	1
CRPA43-2Z	0.72	12 + 0.05/+0.02	5.5	1
CRXPAX43-2RS	0.72	12 + 0.05/+0.02	5.5	1
CRPN63-2ZR	0.55	18 + 0.02/-0.02	7	1
CRXPNX63-2RS	0.55	18 + 0.02/-0.02	7	1
CRPA63-2ZR	0.55	18 + 0.02/-0.02	7	1
CRXPAX63-2RS	0.55	18 + 0.02/-0.02	7	1