

Slider Solid Version

LSBE: Stainless steel body (AISI 304) and standard steel rollers

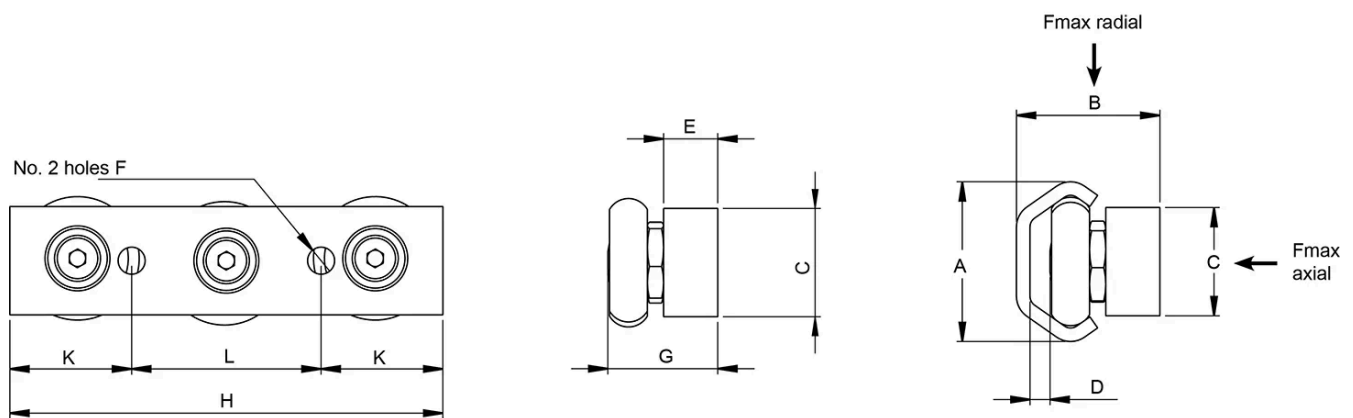
LXBE: Stainless steel body (AISI 304) and stainless steel rollers (AISI-440C)



General Data

Designation	Weight (kg)	Max. Permissible Radial Load F_{max} (N)	Max. Permissible Axial Load F_{max} (N)
LSBE20-60-2Z	0.04	300	170
LSBE30-80-2Z	0.17	800	400
LSBE45-120-2Z	0.60	1600	860
LXBE20-60-2RS	0.04	300	170
LXBE30-80-2RS	0.17	800	400
LXBE45-120-2RS	0.60	1600	860

Dimensions



Designation	A	B	C	D	E	F	G	H	K
LSBE20-60-2Z	19.2	17.8	10	2.65	6	M5	13.15	60	20
LSBE30-80-2Z	29.5	26.5	20	3.7	10	M6	20.3	80	22.5
LSBE45-120-2Z	45.7	41	30	5.1	15	M8	31.9	120	32.5
LXBE20-60-2RS	19.2	17.8	10	2.65	6	M5	13.15	60	20
LXBE30-80-2RS	29.5	26.5	20	3.7	10	M6	20.3	80	22.5
LXBE45-120-2RS	45.7	41	30	5.1	15	M8	31.9	120	32.5

Designation	L
LSBE20-60-2Z	20
LSBE30-80-2Z	35
LSBE45-120-2Z	55
LXBE20-60-2RS	20
LXBE30-80-2RS	35
LXBE45-120-2RS	55