

PSAS ---.6200

- Polyamide roller combined – fixed axial roller with higher load capacity
- Lubricated for lifetime
- High abrasion resistance
- Low friction
- High chemical resistance to alcohol, salts, greases and certain acids and alkalis in diluted concentration.

Reduction of value by speed of:

1 m/sec: 0%

2 m/sec: -20%

3 m/sec: -30%

Use profile UP---.0730

Order example: Roller + fixing plate PAS040.0360/BQ1000
Roller Ø 40 mm - welded with mounting element 50 mm x 50 mm x 8 mm

Dimensions in mm.

Temperature: Maximum working temperature 80° C

Speed: Travel speed up to 5 m/sec

Roller Type: Polyamide

Sizes Available: 60; 100; 125; 145; 160; 180





General Data

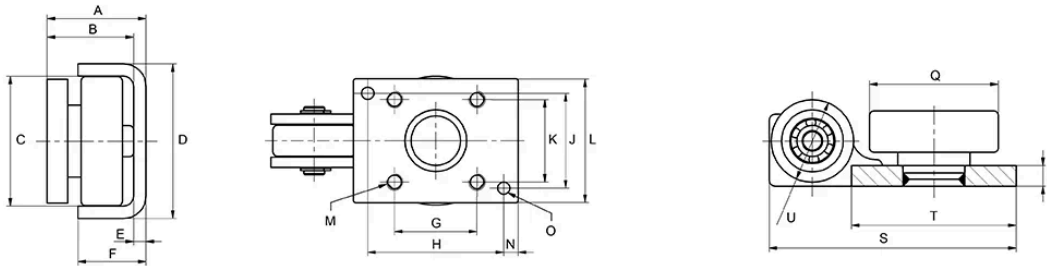
FA = System Load Capacity Axial
 FR = System Load Capacity Radial
 Ca = Dynamic Load Capacity Axial
 C = Dynamic Load Capacity Radial



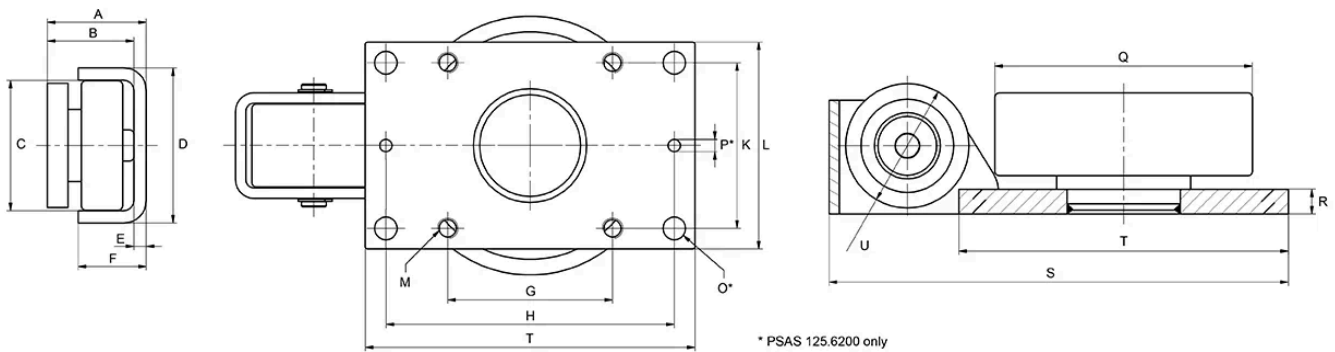
| Designation | System Load Capacity Radial (N) | System Load Capacity Axial (N) | Profile |
|--------------|---------------------------------|--------------------------------|------------|
| PSAS060.6200 | 1500 | 900 | UP---.0730 |
| PSAS100.6200 | 2500 | 1800 | UP---.0730 |
| PSAS125.6200 | 6000 | 2500 | UP---.0730 |
| PSAS145.6200 | 8000 | 5000 | UP---.0730 |
| PSAS160.6200 | 10000 | 5000 | UP---.0730 |
| PSAS180.6200 | 15000 | 6500 | UP---.0730 |

Dimensions

PSAS 060.6200 & PSAS 100.6200



PSAS 125.6200 & PSAS 145.6200
PSAS 160.6200 & PSAS 180.6200



| Designation | A | B | C | D | E | F | G | H | J |
|--------------|----|----|-----|-----|----|----|-----|-----|----|
| PSAS060.6200 | 48 | 42 | 63 | 75 | 6 | 33 | 40 | 66 | 46 |
| PSAS100.6200 | 57 | 51 | 102 | 114 | 6 | 40 | 80 | 105 | 80 |
| PSAS125.6200 | 71 | 63 | 126 | 142 | 8 | 56 | 80 | 140 | — |
| PSAS145.6200 | 96 | 88 | 146 | 162 | 8 | 65 | 130 | — | — |
| PSAS160.6200 | 96 | 88 | 159 | 175 | 8 | 73 | 140 | — | — |
| PSAS180.6200 | 98 | 88 | 180 | 200 | 10 | 70 | 160 | — | — |

| Designation | K | L | M | N | O | P | Q | R | S | T |
|--------------|----|-----|---------|-----|---------|--------|-------|----|-----|-----|
| PSAS060.6200 | 40 | 60 | 4 x M8 | 7 | 2 x Ø6 | — | 62.5 | 10 | 120 | 80 |
| PSAS100.6200 | 80 | 100 | 4 x M10 | 7.5 | 2 x Ø6 | — | 101.2 | 10 | 160 | 120 |
| PSAS125.6200 | 80 | 100 | 4 x M10 | — | 4 x Ø11 | 2 x Ø6 | 125 | 12 | 223 | 160 |
| PSAS145.6200 | 90 | 120 | 4 x M16 | — | — | — | 145 | 20 | 263 | 180 |
| PSAS160.6200 | 90 | 120 | 4 x M16 | — | — | — | 158 | 20 | 273 | 190 |
| PSAS180.6200 | 90 | 120 | 4 x M16 | — | — | — | 179 | 20 | 295 | 210 |

| Designation | U |
|--------------|----|
| PSAS060.6200 | 40 |
| PSAS100.6200 | 40 |
| PSAS125.6200 | 60 |
| PSAS145.6200 | 80 |

| Designation | U |
|--------------|----|
| PSAS160.6200 | 80 |
| PSAS180.6200 | 80 |