

LME

Dimensions in mm.
Other types available on request.

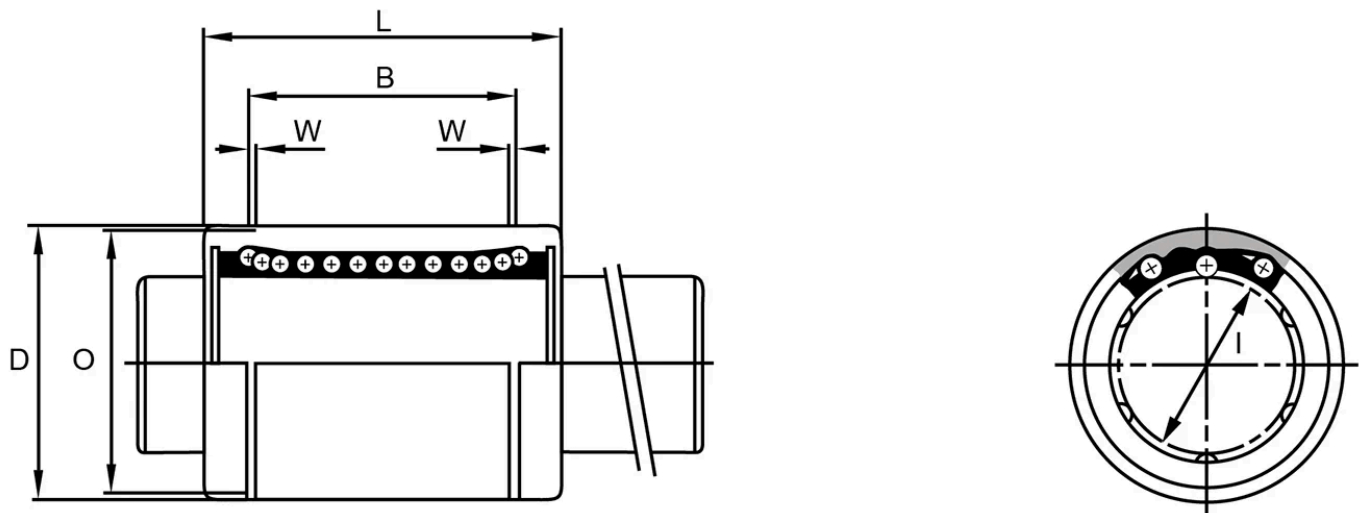
Material: 100Cr6



General Data

Designation	Dynamic Load Capacity (N)	Static Load Capacity (N)	Number Of Ball Rows
LME5UU	210	270	4
LME8UU	270	410	4
LME12UU	520	790	4
LME16UU	590	910	5
LME20UU	880	1400	5
LME25UU	1000	1600	6
LME30UU	1600	2800	6
LME40UU	2200	4000	6
LME50UU	3900	8100	6
LME60UU	4800	10200	6

Dimensions



Designation	I	D	L	W	B	O
LME5UU	5	12	22	1.1	14.5	11.5
LME8UU	8	16	25	1.1	16.5	15.2
LME12UU	12	22	32	1.3	22.9	21
LME16UU	16	26	36	1.3	24.9	24.9
LME20UU	20	32	45	1.6	31.5	30.3
LME25UU	25	40	58	1.85	44.1	37.5
LME30UU	30	47	68	1.85	52.1	44.5
LME40UU	40	62	80	2.15	60.6	59
LME50UU	50	75	100	2.65	77.6	72
LME60UU	60	90	125	3.15	101.7	86.5