

LMES

Dimensions in mm.
Other types available on request.

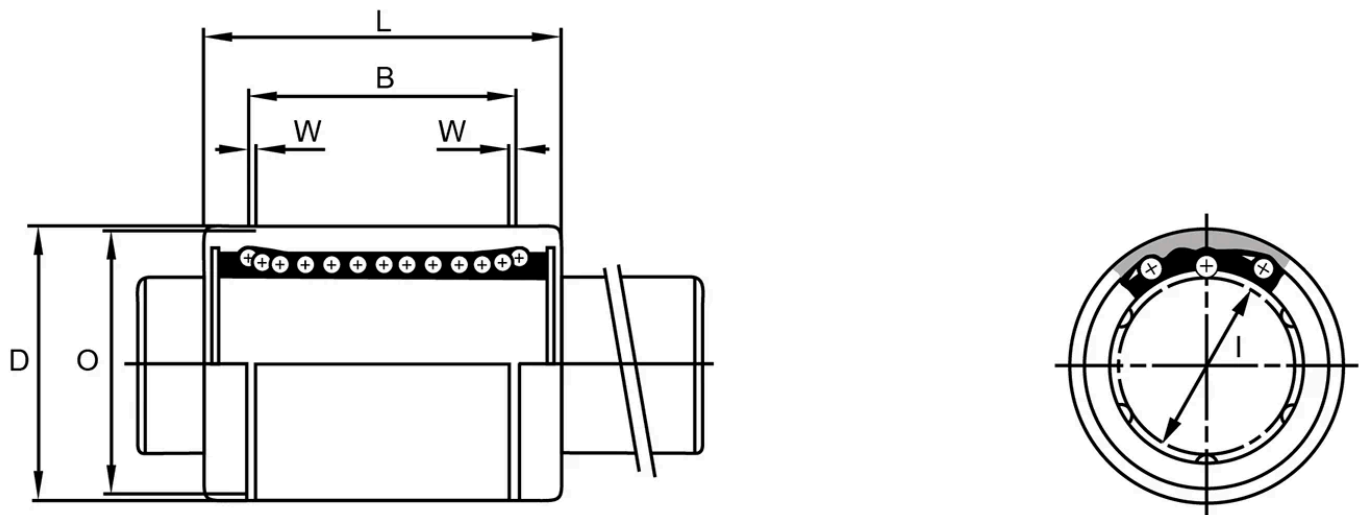
Material: SUS440c



General Data

Designation	Dynamic Load Capacity (N)	Static Load Capacity (N)	Number Of Ball Rows
LMES8UU	270	410	4
LMES12UU	520	790	4
LMES16UU	590	910	5
LMES20UU	880	1400	5
LMES25UU	1000	1600	6
LMES30UU	1600	2800	6
LMES40UU	2200	4000	6

Dimensions



Designation	I	D	L	W	B	O
LMES8UU	8	16	25	1.1	16.5	15.2
LMES12UU	12	22	32	1.3	22.9	21
LMES16UU	16	26	36	1.3	24.9	24.9
LMES20UU	20	32	45	1.6	31.5	30.3
LMES25UU	25	40	58	1.85	44.1	37.5
LMES30UU	30	47	68	1.85	52.1	44.5
LMES40UU	40	62	80	2.15	60.6	59