

Motor adapter VK

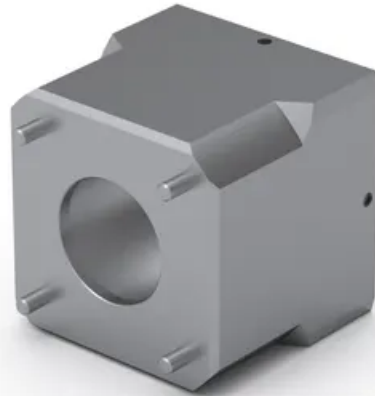
For Mini Linear Units MGBS & MGTB and MCE & MSCE
Mini Electric Cylinders & Sliders.

The standard motor adapter VK is made out of one piece.
It is important to note when ordering it, that the coupling is
included.

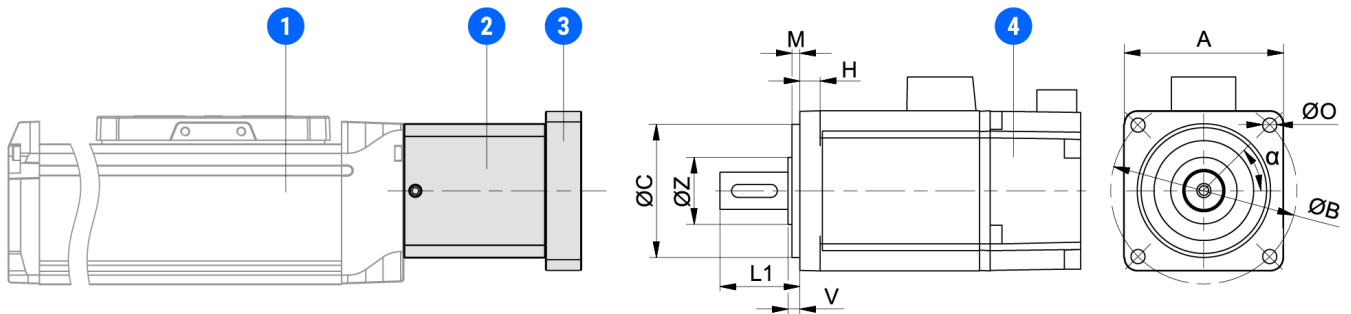
Note! If you order a custom motor adapter VK for a non-
standard motor the coupling is not included.

□ = Square cross section

Dimensions in mm.



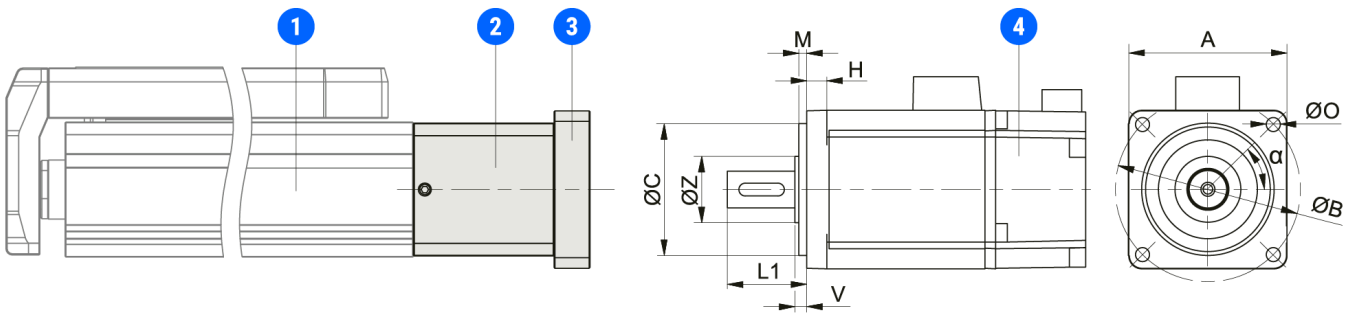
General Data



- 1. MGBS/MGTB
- 2. Motor adapter housing
- 3. Motor adapter flange* } Motor adapter VK
- 4. Motor

*Motor adapter flange is an additional part that is only included when you order a custom motor adapter VK.

Note! The coupling is only included when you order a standard motor adapter VK.
If you order a custom motor adapter VK, the coupling is not included.



- 1. MCE/MSCE
- 2. Motor adapter housing
- 3. Motor adapter flange* } Motor adapter VK
- 4. Motor

*Motor adapter flange is an additional part that is only included when you order a custom motor adapter VK.

Note! The coupling is only included when you order a standard motor adapter VK.
If you order a custom motor adapter VK, the coupling is not included.

Designation	Compatible with	Motor Type	Motor Size (mm)	Motor Standard	Motor Shaft Length L1 Min. (mm)
VK - MG 25 - T1 - 108256	MCE/MSCE 25	Stepper	28	NEMA 11	15
VK - MG 32 - T1 - 108257	MGBS/MGTB 32, MCE/MSCE 32	Stepper	28	NEMA 11	15
VK - MG 32 - T2 - 108258	MGBS/MGTB 32, MCE/MSCE 32	Stepper	42	NEMA 17	20
VK - MG 45 - T1 - 108259	MGBS/MGTB 45, MCE/MSCE 45	Stepper	42	NEMA 17	20
VK - MG 45 - T2 - 108260	MGBS/MGTB 45, MCE/MSCE 45	Stepper	56	NEMA 23	20
VK - MG 60 - T1 - 112537	MGBS/MGTB 60	Stepper	56	NEMA 23	20
VK - MG 60 - T2 - 112536	MGBS/MGTB 60	Stepper	86	NEMA 34	32

Designation	Motor Shaft Length L1 Max. (mm)	Motor Shaft Diameter (mm)	Motor Mounting Holes $\varnothing \times H$ (mm)	Mass (kg)
VK - MG 25 - T1 - 108256	20	5.0	M2,5 × 2,5 (min.)	0.04
VK - MG 32 - T1 - 108257	20	5.0	M2.5 × 2.5 (min.)	0.06
VK - MG 32 - T2 - 108258	25	5.0	M3 × 4.5 (min.)	0.09
VK - MG 45 - T1 - 108259	25	6.35	M3 × 4.5 (min.)	0.14
VK - MG 45 - T2 - 108260	25	6.35	5 × 9.0 (max.)	0.18
VK - MG 60 - T1 - 112537	25	6.35	5 × 9.0 (max.)	0.36
VK - MG 60 - T2 - 112536	37	14	7 × 10.0 (max.)	0.58