

Motor side drive MSD

For Mini Linear Units MGBS and MCE & MSCE Mini Electric Cylinders & Sliders.

Dimensions in mm.



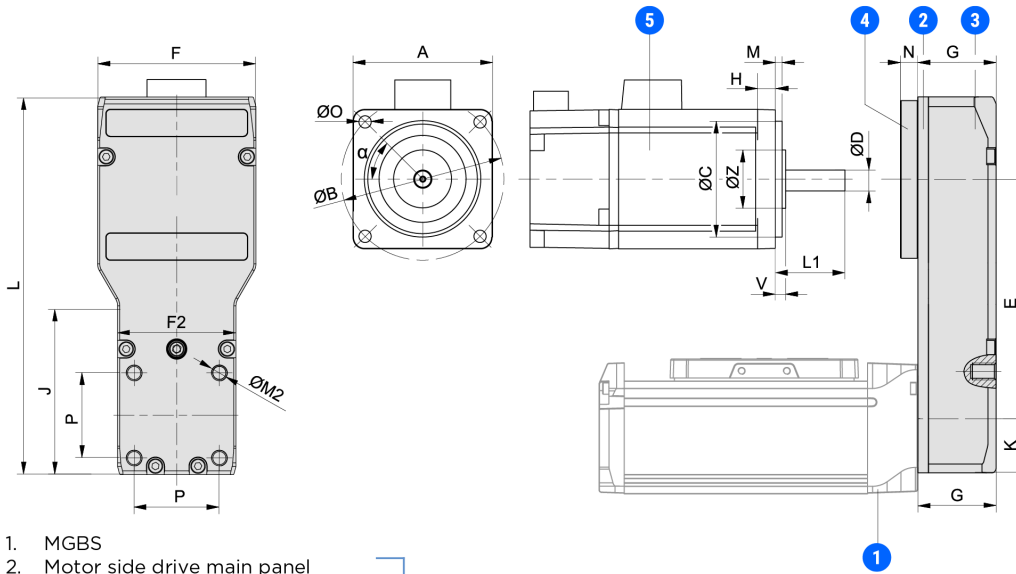
General Data

Designation	Type	Compatible with	Motor Type	Motor Size (mm)	Motor Standard
MSD - MG 25 - T1 - 108261	T1	MCE/MSCE 25	Stepper	28	NEMA 11
MSD - MG 32 - T1 - 108262	T1	MGBS 32, MCE/MSCE 32	Stepper	28	NEMA 11
MSD - MG 32 - T2 - 108263	T2	MGBS 32, MCE/MSCE 32	Stepper	42	NEMA 17
MSD - MG 45 - T1 - 108264	T1	MGBS 45, MCE/MSCE 45	Stepper	42	NEMA 17
MSD - MG 45 - T2 - 108265	T2	MGBS 45, MCE/MSCE 45	Stepper	56	NEMA 23
MSD - MG 60 - T1 - 112515	T1	MGBS 60	Stepper	56	NEMA 23
MSD - MG 60 - T2 - 112516	T2	MGBS 60	Stepper	86	NEMA 32

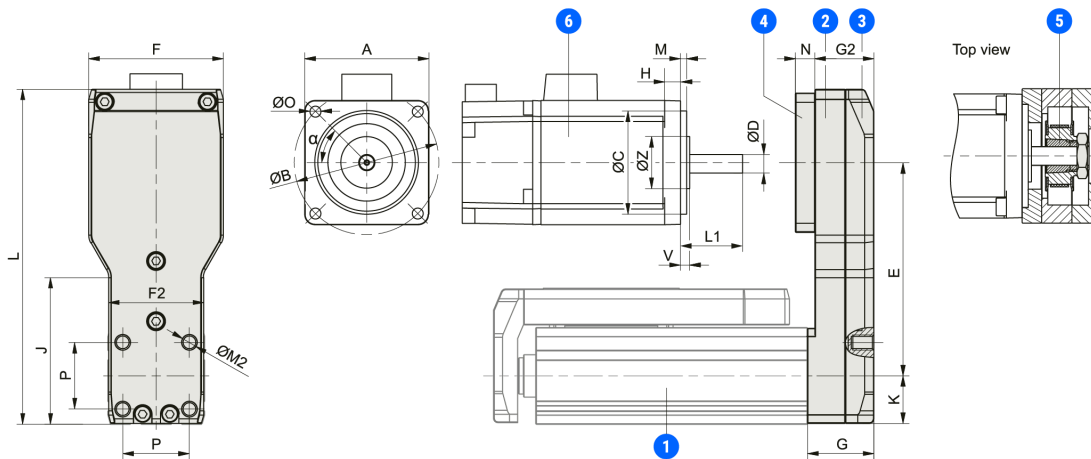
Designation	Motor Shaft Length L1 Min. (mm)	Motor Shaft Length L1 Max. (mm)	Motor Shaft Diameter (mm)	Motor Mounting Holes Ø × H (mm)	Mass (kg)	Gear ratio (I)
MSD - MG 25 - T1 - 108261	14	20	5.0	M2,5 × 2,5 (min.)	0.1	1
MSD - MG 32 - T1 - 108262	14	20	5.0	M2,5 × 2,5 (min.)	0.12	1
MSD - MG 32 - T2 - 108263	17.5	24	5.0	M3 × 4,5 (min.)	0.18	1
MSD - MG 45 - T1 - 108264	20.5	28	5.0	M3 × 4,5 (min.)	0.28	1
MSD - MG 45 - T2 - 108265	20	28	6.35	5 × 4,5 (min.) ~ 5,5 (max.)	0.36	1
MSD - MG 60 - T1 - 112515	25	38	6.35	5 × 4,5 (min.) ~ 5,5 (max.)	0.60	1
MSD - MG 60 - T2 - 112516	28.5	38	14	7 × 8,0 (min.) ~ 9,8 (max.)	0.88	1

Designation	Max. Drive Torque (Nm)	Max. Radial Load on Shaft (N)	No Load Torque (Nm)	Mass Moment of Inertia JMSD (10 ⁻² kg cm ²)
MSD - MG 25 - T1 - 108261	0.1	15	0.01	0.39
MSD - MG 32 - T1 - 108262	0.10	15	0.015	0.39
MSD - MG 32 - T2 - 108263	0.25	15	0.015	1.04
MSD - MG 45 - T1 - 108264	0.30	15	0.020	4.16
MSD - MG 45 - T2 - 108265	0.80	45	0.020	4.20
MSD - MG 60 - T1 - 112515	0.80	35	0.025	7.52
MSD - MG 60 - T2 - 112516	1.94	90	0.035	10.30

Dimensions



- 1. MGBS
 - 2. Motor side drive main panel
 - 3. Motor side drive cover
 - 4. Motor side drive tensioning plate
 - 5. Motor
- } Motor side drive MSD



- 1 - MCE/MSCE
 - 2 - Motor side drive housing
 - 3 - Motor side drive cap
 - 4 - Motor side drive tensioning plate
 - 5 - Clamping set
 - 6 - Motor
- } Motor side drive MSD

Designation	A	B	C	D	E	F	F2	G	J
MSD - MG 25 - T1 - 108261	max 34	max 35	max 25	max 5	52.5 (±0.5)	31.5	24.5	22	38.5
MSD - MG 32 - T1 - 108262	34 (max.)	35 (max.)	25 (max.)	5 (max.)	52.5 (± 0.5)	31.5	31.5	22	0
MSD - MG 32 - T2 - 108263	46 (max.)	50 (max.)	36 (max.)	6.35 (max.)	70.5 (± 0.5)	44.5	31.5	22	48
MSD - MG 45 - T1 - 108264	46 (max.)	50 (max.)	36 (max.)	15 (max.)	81 (± 0.5)	44.5	44.5	27.5	0
MSD - MG 45 - T2 - 108265	59.5 (max.)	70 (max.)	50 (max.)	15 (max.)	88.5 (± 0.5)	59.5	44.5	27.5	63.5
MSD - MG 60 - T1 - 112515	59.5 (max.)	70 (max.)	50 (max.)	9 (max.)	96 (± 0.5)	59.5	59.5	33	0
MSD - MG 60 - T2 - 112516	85.5 (max.)	100 (max.)	75 (max.)	19 (max.)	121.5 (± 0.5)	85.5	59.5	33	81.5

Designation	K	L	M2	N	P
MSD - MG 25 - T1 - 108261	12.25	83	M4 × 6	4	18
MSD - MG 32 - T1 - 108262	15.75	85.5	M5 × 6	4	22
MSD - MG 32 - T2 - 108263	15.75	110	M5 × 6.5	4.5	22
MSD - MG 45 - T1 - 108264	22.25	127	M6 × 8.5	4.5	32
MSD - MG 45 - T2 - 108265	22.25	142	M6 × 8.5	6.5	32
MSD - MG 60 - T1 - 112515	29.75	157	M6 × 8	6.5	38
MSD - MG 60 - T2 - 112516	29.75	195.5	M6 × 8	8.5	38