

## SG

Dimensions in mm.

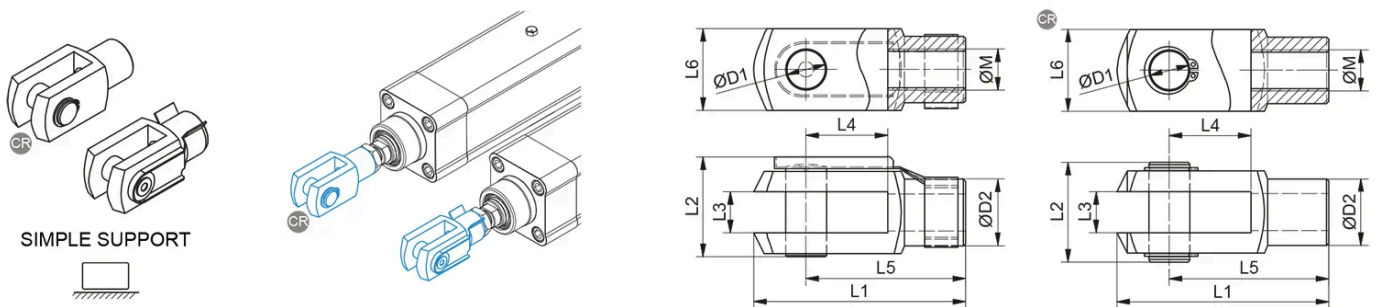
**Material:** Galvanized or stainless steel AISI 304



## General Data

Designation	Description	Compatible with	Material	Fmax (N)	Mass (kg)
SG 32 - 9186	SG 32	PNCE 32	Galvanized steel	F PNCE	0.09
SG 32 CR - 69547	SG 32 CR	PNCE 32	Stainless steel AISI 304	F PNCE	0.09
SG 40 - 9189	SG 40	PNCE 40	Galvanized steel	F PNCE	0.15
SG 40 CR - 69548	SG 40 CR	PNCE 40	Stainless steel AISI 304	F PNCE	0.15
SG 50 - 9191	SG 50	PNCE 50	Galvanized steel	F PNCE	0.33
SG 50 CR - 69549	SG 50 CR	PNCE 50	Stainless steel AISI 304	F PNCE	0.33
SG 63 - 9191	SG 63	PNCE 63	Galvanized steel	F PNCE	0.33
SG 63 CR - 69549	SG 63 CR	PNCE 63	Stainless steel AISI 304	F PNCE	0.33
SG 80 - 9192	SG 80	PNCE 80	Galvanized steel	F PNCE	0.68
SG 80 CR - 70248	SG 80 CR	PNCE 80	Stainless steel AISI 304	F PNCE	0.68
SG 100 - 9192	SG 100	PNCE 100	Galvanized steel	F PNCE	0.68
SG 100 CR - 70248	SG 100 CR	PNCE 100	Stainless steel AISI 304	F PNCE	0.68

## Dimensions



Designation	M	L1	L2	L3	L4	L5	L6	D1	D2
SG 32 - 9186	M10 × 1.25	52 (±0.5)	26	10 (B13)	20 (±0.5)	40	20	Ø 10 (h11)	Ø 18
SG 32 CR - 69547	M10 × 1.25	52 (±0.5)	25	10 (B13)	20 (±0.5)	40	20	Ø 10 (h11)	Ø 18
SG 40 - 9189	M12 × 1.25	62 (±0.5)	32	12 (B13)	24 (±0.5)	48	24	Ø 12 (h11)	Ø 20
SG 40 CR - 69548	M12 × 1.25	62 (±0.5)	30	12 (B13)	24 (±0.5)	48	24	Ø 12 (h11)	Ø 20
SG 50 - 9191	M16 × 1.5	83 (±0.5)	40	16 (B13)	32 (±0.5)	64	32	Ø 16 (h11)	Ø 26
SG 50 CR - 69549	M16 × 1.5	83 (±0.5)	39	16 (B13)	32 (±0.5)	64	32	Ø 16 (h11)	Ø 26
SG 63 - 9191	M16 × 1.5	83 (±0.5)	40	16 (B13)	32 (±0.5)	64	32	Ø 16 (h11)	Ø 26
SG 63 CR - 69549	M16 × 1.5	83 (±0.5)	39	16 (B13)	32 (±0.5)	64	32	Ø 16 (h11)	Ø 26
SG 80 - 9192	M20 × 1.5	105 (±0.5)	48	20 (B13)	40 (±0.5)	80	40	Ø 20 (h11)	Ø 34
SG 80 CR - 70248	M20 × 1.5	105 (±0.5)	48	20 (B13)	40 (±0.5)	80	40	Ø 20 (h11)	Ø 34
SG 100 - 9192	M20 × 1.5	105 (±0.5)	48	20 (B13)	40 (±0.5)	80	40	Ø 20 (h11)	Ø 34
SG 100 CR - 70248	M20 × 1.5	105 (±0.5)	48	20 (B13)	40 (±0.5)	80	40	Ø 20 (h11)	Ø 34