

HG

Dimensions in mm.

Material: Galvanized or stainless steel AISI 304

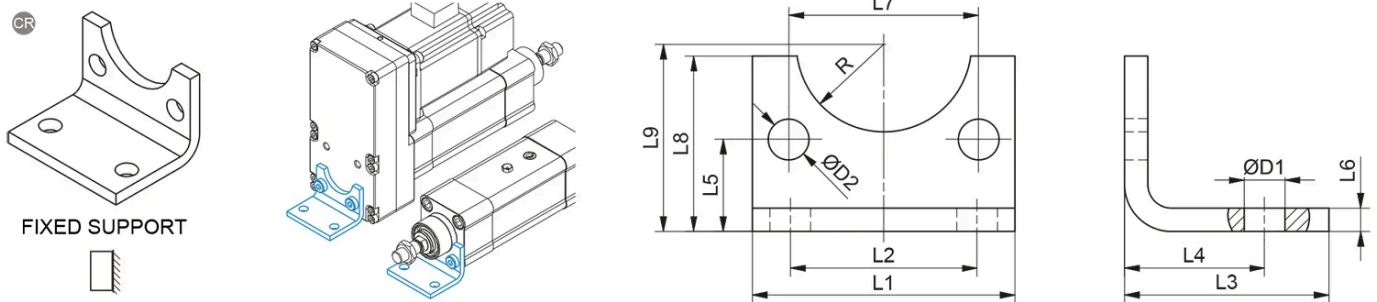


General Data

| Designation | Description | Compatible with | Type | Material | Fmax (N) |
|-----------------------------|--------------|-----------------|-----------------------------------|--------------------------|----------|
| HG 32 - 69601 | HG 32 | PNCE 32 | Front cap mounting | Galvanized steel | F PNCE |
| HG 32 CR - 69605 | HG 32 CR | PNCE 32 | Front cap mounting | Stainless steel AISI 304 | F PNCE |
| HG 32 MSD - 69597 | HG 32 MSD | PNCE 32 | Motor side drive type T1 mounting | Galvanized steel | F PNCE |
| HG 32 MSD CR - 69609 | HG 32 MSD CR | PNCE 32 | Motor side drive type T1 mounting | Stainless steel AISI 304 | F PNCE |
| HG 40 - 69602 | HG 40 | PNCE 40 | Front cap mounting | Galvanized steel | 3500 |
| HG 40 CR - 69606 | HG 40 CR | PNCE 40 | Front cap mounting | Stainless steel AISI 304 | 3500 |
| HG 40 MSD - 69598 | HG 40 MSD | PNCE 40 | Motor side drive type T1 mounting | Galvanized steel | 3500 |
| HG 40 MSD CR - 69610 | HG 40 MSD CR | PNCE 40 | Motor side drive type T1 mounting | Stainless steel AISI 304 | 3500 |
| HG 50 - 69603 | HG 50 | PNCE 50 | Front cap mounting | Galvanized steel | 5400 |
| HG 50 CR - 69607 | HG 50 CR | PNCE 50 | Front cap mounting | Stainless steel AISI 304 | 5400 |
| HG 50 MSD - 69599 | HG 50 MSD | PNCE 50 | Motor side drive type T1 mounting | Galvanized steel | 5400 |
| HG 50 MSD CR - 69611 | HG 50 MSD CR | PNCE 50 | Motor side drive type T1 mounting | Stainless steel AISI 304 | 5400 |
| HG 63 - 69604 | HG 63 | PNCE 63 | Front cap mounting | Galvanized steel | 6200 |
| HG 63 CR - 69608 | HG 63 CR | PNCE 63 | Front cap mounting | Stainless steel AISI 304 | 6200 |
| HG 63 MSD - 69600 | HG 63 MSD | PNCE 63 | Motor side drive type T1 mounting | Galvanized steel | 6200 |
| HG 63 MSD CR - 69612 | HG 63 MSD CR | PNCE 63 | Motor side drive type T1 mounting | Stainless steel AISI 304 | 6200 |

| Designation | Mass (kg) |
|-----------------------------|-----------|
| HG 32 - 69601 | 0.09 |
| HG 32 CR - 69605 | 0.09 |
| HG 32 MSD - 69597 | 0.09 |
| HG 32 MSD CR - 69609 | 0.09 |
| HG 40 - 69602 | 0.1 |
| HG 40 CR - 69606 | 0.1 |
| HG 40 MSD - 69598 | 0.1 |
| HG 40 MSD CR - 69610 | 0.1 |
| HG 50 - 69603 | 0.2 |
| HG 50 CR - 69607 | 0.2 |
| HG 50 MSD - 69599 | 0.2 |
| HG 50 MSD CR - 69611 | 0.2 |
| HG 63 - 69604 | 0.22 |
| HG 63 CR - 69608 | 0.22 |
| HG 63 MSD - 69600 | 0.22 |
| HG 63 MSD CR - 69612 | 0.22 |

Dimensions



| Designation | L1 | L2 | L3 | L4 | L5 | L6 | L7 | L8 | L9 |
|----------------------|----|----|----|----|-------|----|------|----|----|
| HG 32 - 69601 | 45 | 32 | 35 | 24 | 15.75 | 4 | 32.5 | 30 | 32 |
| HG 32 CR - 69605 | 45 | 32 | 35 | 24 | 15.75 | 4 | 32.5 | 30 | 32 |
| HG 32 MSD - 69597 | 45 | 32 | 35 | 24 | 15.75 | 4 | 32.5 | 30 | 32 |
| HG 32 MSD CR - 69609 | 45 | 32 | 35 | 24 | 15.75 | 4 | 32.5 | 30 | 32 |
| HG 40 - 69602 | 52 | 36 | 36 | 28 | 17 | 4 | 38 | 30 | 36 |
| HG 40 CR - 69606 | 52 | 36 | 36 | 28 | 17 | 4 | 38 | 30 | 36 |
| HG 40 MSD - 69598 | 52 | 36 | 36 | 28 | 17 | 4 | 38 | 30 | 36 |
| HG 40 MSD CR - 69610 | 52 | 36 | 36 | 28 | 17 | 4 | 38 | 30 | 36 |
| HG 50 - 69603 | 65 | 45 | 47 | 32 | 21.75 | 5 | 46.5 | 36 | 45 |
| HG 50 CR - 69607 | 65 | 45 | 47 | 32 | 21.75 | 5 | 46.5 | 36 | 45 |
| HG 50 MSD - 69599 | 65 | 45 | 47 | 32 | 21.75 | 5 | 46.5 | 36 | 45 |
| HG 50 MSD CR - 69611 | 65 | 45 | 47 | 32 | 21.75 | 5 | 46.5 | 36 | 45 |
| HG 63 - 69604 | 75 | 50 | 45 | 32 | 21.75 | 5 | 56.5 | 35 | 50 |
| HG 63 CR - 69608 | 75 | 50 | 45 | 32 | 21.75 | 5 | 56.5 | 35 | 50 |
| HG 63 MSD - 69600 | 75 | 50 | 45 | 32 | 21.75 | 5 | 56.5 | 35 | 50 |
| HG 63 MSD CR - 69612 | 75 | 50 | 45 | 32 | 21.75 | 5 | 56.5 | 35 | 50 |

| Designation | D1 | D2 | R |
|----------------------|------|-----|------|
| HG 32 - 69601 | Ø 7 | Ø 7 | 15 |
| HG 32 CR - 69605 | Ø 7 | Ø 7 | 15 |
| HG 32 MSD - 69597 | Ø 7 | Ø 7 | 15 |
| HG 32 MSD CR - 69609 | Ø 7 | Ø 7 | 15 |
| HG 40 - 69602 | Ø 10 | Ø 7 | 17.5 |
| HG 40 CR - 69606 | Ø 10 | Ø 7 | 17.5 |
| HG 40 MSD - 69598 | Ø 10 | Ø 7 | 17.5 |
| HG 40 MSD CR - 69610 | Ø 10 | Ø 7 | 17.5 |
| HG 50 - 69603 | Ø 10 | Ø 9 | 20 |
| HG 50 CR - 69607 | Ø 10 | Ø 9 | 20 |
| HG 50 MSD - 69599 | Ø 10 | Ø 9 | 20 |
| HG 50 MSD CR - 69611 | Ø 10 | Ø 9 | 20 |
| HG 63 - 69604 | Ø 10 | Ø 9 | 22.5 |
| HG 63 CR - 69608 | Ø 10 | Ø 9 | 22.5 |
| HG 63 MSD - 69600 | Ø 10 | Ø 9 | 22.5 |

| Designation | D1 | D2 | R |
|----------------------|------|-----|------|
| HG 63 MSD CR - 69612 | Ø 10 | Ø 9 | 22.5 |