

ZK

Dimensions in mm.

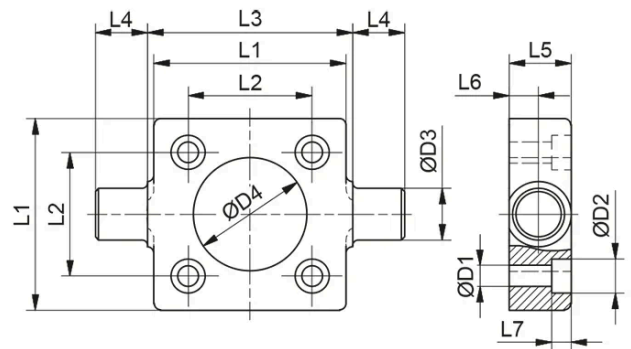
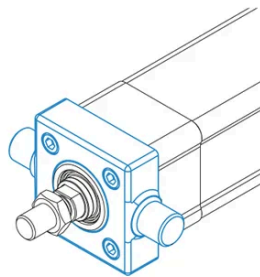
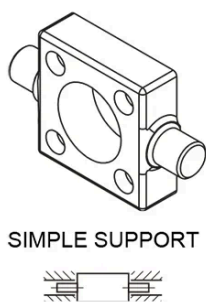
Material: Galvanized steel



General Data

Designation	Description	Compatible with	Fmax (N)	Mass (kg)
ZK 32 - 69075	ZK 32	PNCE 32	F PNCE	0.17
ZK 40 - 69083	ZK 40	PNCE 40	F PNCE	0.43
ZK 50 - 69084	ZK 50	PNCE 50	F PNCE	0.58
ZK 63 - 69085	ZK 63	PNCE 63	F PNCE	1.12
ZK 80 - 83027	ZK 80	PNCE 80	F PNCE	1.57
ZK 100 - 83028	ZK 100	PNCE 100	F PNCE	2.93

Dimensions



Designation	L1	L2	L3	L4	L5	L6	L7	D1	D2
ZK 32 - 69075	46	32.5	50 (h14)	12 (h14)	14	6.5 (+0.2 / 0)	6 (+0.5 / 0)	Ø 6.5	Ø 10.5
ZK 40 - 69083	59	38	63 (h14)	16 (h14)	19	9 (+0.2 / 0)	6 (+0.5 / 0)	Ø 6.5	Ø 10.5
ZK 50 - 69084	69	46.5	75 (h14)	16 (h14)	19	9 (+0.2 / 0)	8 (+0.5 / 0)	Ø 8.5	Ø 13.5
ZK 63 - 69085	84	56.5	90 (h14)	20 (h14)	24	11.5 (+0.2 / 0)	8 (+0.5 / 0)	Ø 8.5	Ø 13.5
ZK 80 - 83027	102	72	110 (h14)	20 (h14)	24	11.5 (+0.2 / 0)	10 (+0.5 / 0)	Ø 10.5	Ø 16.5
ZK 100 - 83028	125	89	132 (h14)	25 (h14)	29	14 (+0.2 / 0)	10 (+0.5 / 0)	Ø 10.5	Ø 16.5

Designation	D3	D4
ZK 32 - 69075	Ø 12 (e9)	Ø 30 (H11)
ZK 40 - 69083	Ø 16 (e9)	Ø 35 (H11)
ZK 50 - 69084	Ø 16 (e9)	Ø 40 (H11)
ZK 63 - 69085	Ø 20 (e9)	Ø 45 (H11)
ZK 80 - 83027	Ø 20 (e9)	Ø 60 (H11)
ZK 100 - 83028	Ø 25 (e9)	Ø 70 (H11)