

Blanking Screws

Set contains 4 pcs.

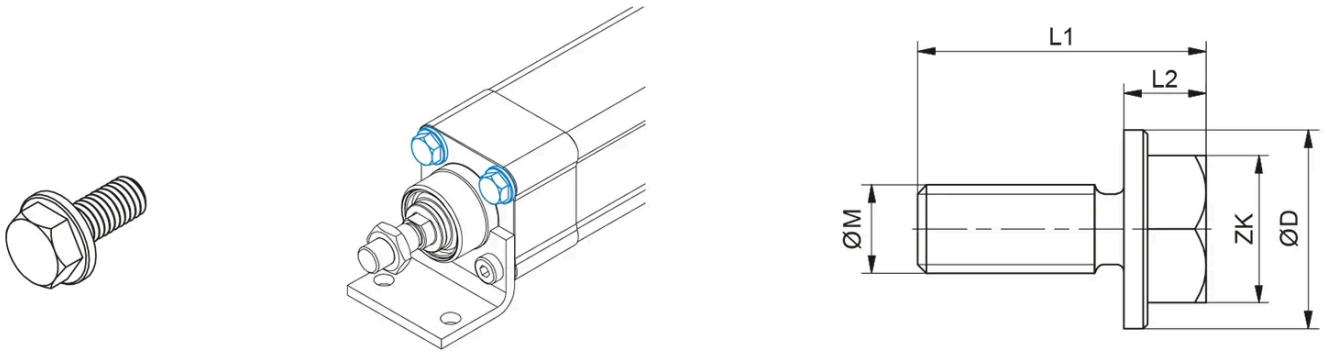
Dimensions in mm.

Material: Stainless steel AISI 304



Dimensions

CR



Designation	D	M	L1	L2	ZK
M6 - 69156	Ø 12.8	Ø M6	19.5	5.5	10
M8 - 69157	Ø 17	Ø M8	24	8	13
M10 - 82901	Ø 19.3	Ø M10	24.5	8.5	15