

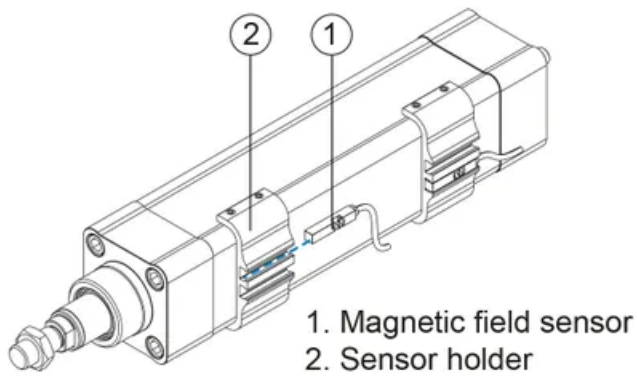
## Magnetic Field Sensors

Dimension in mm.

Note! Mounting of the Magnetic field sensor on PNCE requires a HPNCE sensor holder.

**Sensor Type:** GMR sensor  
**Switching function:** NC or NO  
**Output:** PNP  
**Operating Voltage (V DC):** 10 ~ 28  
**Max. Switching Current (mA):** 200  
**Max. Power Rating (W):** 5.5  
**Voltage drop:** 1.5 V / 200mA max.  
**Current consumption:** 10mA / 24 V max.  
**Switching Frequency (Hz):** 1000  
**Ambient Temperature (°C):** -10 ~ +70  
**Shock/vibration:** 50 G / 9 G  
**Protection Class:** IP67  
**LED indicator:** Yellow  
**Electrical connection:** M8, 3-pin  
**Cable material length:** PU - 0.3m  
**Extension cable:** Energy chain compliant





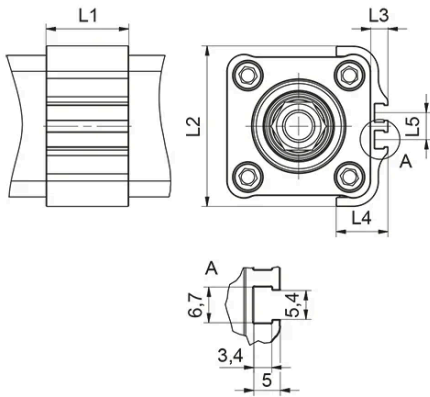
## General Data

Designation	Compatible with	Type	Cable Length (m)
SMT-65TP-K NC - 74073	PNCE series	Magnetic sensor	-
SMT-65TP-K NO - 74074	PNCE series	Magnetic sensor	-
HPNCE 32 - 68997	PNCE 32	Sensor holder	-
HPNCE 40 - 68998	PNCE 40	Sensor holder	-
HPNCE 50 - 68999	PNCE 50	Sensor holder	-
HPNCE 63 - 69000	PNCE 63	Sensor holder	-
HPNCE 80 - 79053	PNCE 80	Sensor holder	-
HPNCE 100 - 79054	PNCE 100	Sensor holder	-
Cable - 8146	PNCE series	Straight connector extension cable	2
Cable - 8147	PNCE series	Straight connector extension cable	5

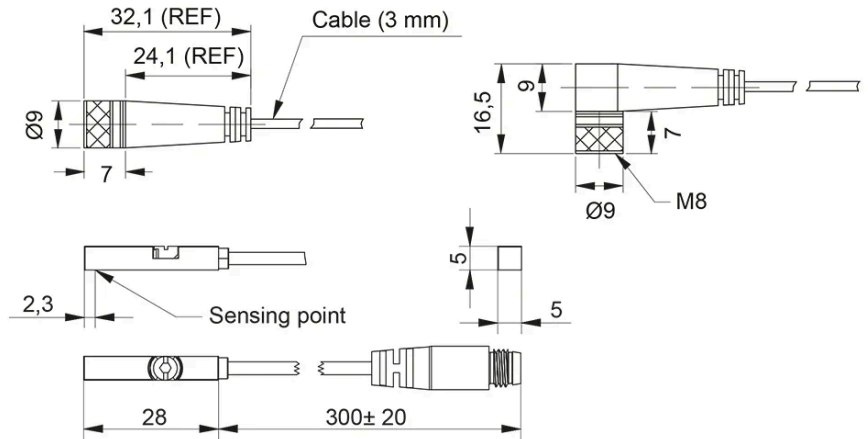
Designation	Compatible with	Type	Cable Length (m)
Cable - 9017	PNCE series	Angled connector extension cable	2
Cable - 9019	PNCE series	Angled connector extension cable	5

## Dimensions

HPNCE Sensor holder



SMT-65TP-K



Designation	L1	L2	L3	L4	L5
SMT-65TP-K NC - 74073	-	-	-	-	-
SMT-65TP-K NO - 74074	-	-	-	-	-
HPNCE 32 - 68997	30	53	6.5	19.5	10
HPNCE 40 - 68998	30	60	6.5	19.5	10
HPNCE 50 - 68999	30	71	6.5	22.5	10
HPNCE 63 - 69000	30	81	6.5	22.5	10
HPNCE 80 - 79053	30	98.3	6	25	10
HPNCE 100 - 79054	30	115.4	6	25	10
Cable - 8146	-	-	-	-	-
Cable - 8147	-	-	-	-	-
Cable - 9017	-	-	-	-	-
Cable - 9019	-	-	-	-	-