

## Rod clevis SG

Dimensions in mm.

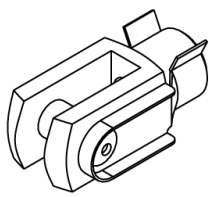
**Material:** Galvanized steel



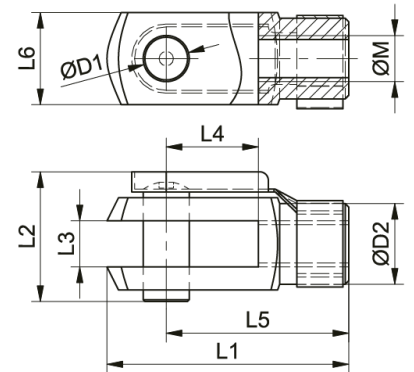
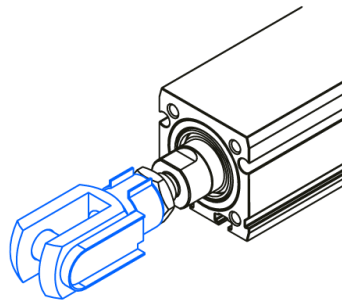
## General Data

Designation	Description	Compatible with	Material	Fmax (N)	Mass (kg)
SG 25 - 9196	SG 25	MCE 25	Galvanized steel	F MCE	0.02
SG 32 - 9197	SG 32	MCE 32	Galvanized steel	F MCE	0.05
SG 45 - 9186	SG 45	MCE 45	Galvanized steel	F MCE	0.09

## Dimensions



Simple support



Designation	M	L1	L2	L3	L4	L5	L6	D1	D2
SG 25 - 9196	M6	31 (±0.5)	16	6 (B13)	12 (±0.5)	24	12 (h11)	6 (H9)	10
SG 32 - 9197	M8	42 (±0.5)	22	8 (B13)	16 (±0.5)	32	16 (h11)	8 (H9)	14
SG 45 - 9186	M10 × 1.25	52 (±0.5)	26	10 (B13)	20 (±0.5)	40	20 (h11)	10 (H9)	18