

Foot mounting MAHP

Dimensions in mm.

Set contains 2 pcs (i.e. for both front and rear mounting).
Mounting screws are included.

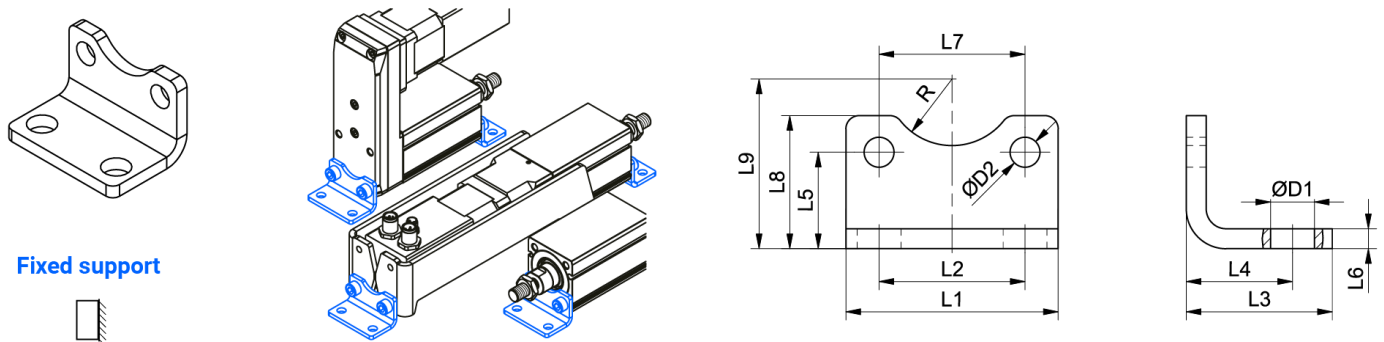
Material: Stainless steel



General Data

Designation	Description	Compatible with	Material	Fmax (N)	Mass (kg)
MAHP 25 - 108253	MAHP 25	MCE 25	Stainless steel	F MCE	0.04
MAHP 32 - 108254	MAHP 32	MCE 32	Stainless steel	F MCE	0.06
MAHP 45 - 108255	MAHP 45	MCE 45	Stainless steel	F MCE	0.11

Dimensions



Designation	L1	L2	L3	L4	L6	L8	L9	D1	R
MAHP 25 - 108253	25	18	17.5	13	3	17.5	22	5.5	9
MAHP 32 - 108254	32	22	22	16	3	20	25.5	6.6	10
MAHP 45 - 108255	45	32	26.2	18	3	24	32	6.6	13

Designation	L5 Front	L5 Rear	L7 Front	L7 Rear	ØD2 Front	ØD2 Rear
MAHP 25 - 108253	11.5	13	21	18	2.8	4.5
MAHP 32 - 108254	14.5	14.5	22	22	4.5	5.5
MAHP 45 - 108255	16	16	32	32	6.6	6.6