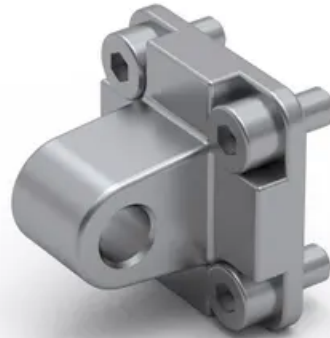


Swivel/clevis mount MASU

Dimensions in mm.

Mounting screws are included.

Material: Aluminium (MASU 45: Aluminium and galvanized steel)

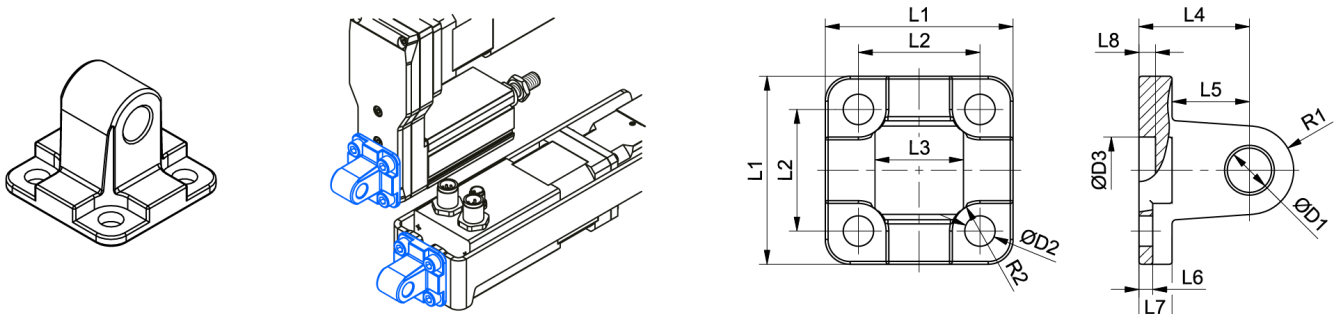


General Data

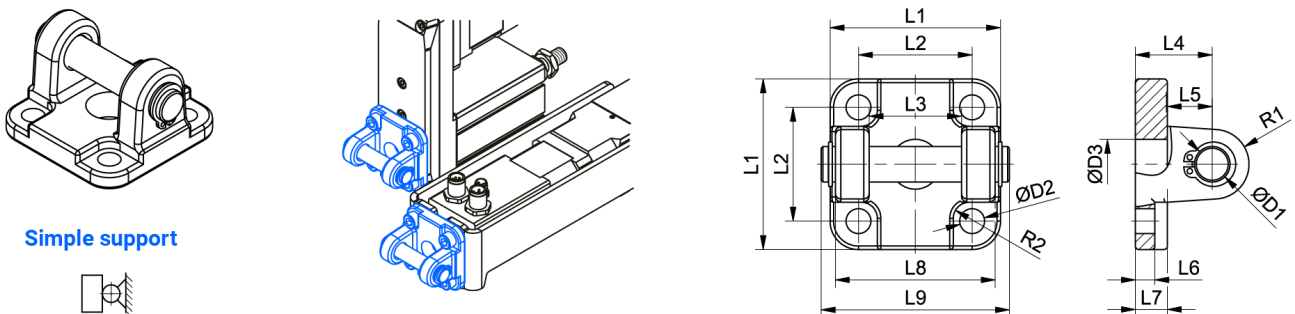
Designation	Description	Compatible with	Material	Fmax (N)	Mass (kg)
MASU 25 - 108243	MASU 25	MCE 25	Aluminium	F MCE	0.02
MASU 32 - 108244	MASU 32	MCE 32	Aluminium	F MCE	0.03
MASU 45 - 108245	MASU 45	MCE 45	Aluminium and galvanized steel	F MCE	0.12

Dimensions

Size 25, 32



Size 45



Simple support

Designation	L1	L2	L3	L4	L5	L6	L7	L8	L9
MASU 25 - 108243	27 (±0.2)	18	12	16 (±0.2)	10	2.6	6	3	-
MASU 32 - 108244	34 (±0.2)	22	16	20 (±0.2)	14	2.6	6	3	-
MASU 45 - 108245	48 (±0.2)	32	26	22 (±0.2)	13	5.5	9	45	53

Designation	D1	D2	D3	R1	R2
MASU 25 - 108243	6	4.5	10 (h11)	6	4.5
MASU 32 - 108244	8	5.5	12 (h11)	8	5
MASU 45 - 108245	10	6.6	14 (h11)	10	5.5