

Swivel foot mounting MLG

Dimensions in mm.

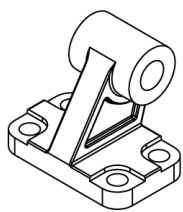
Material: Aluminium



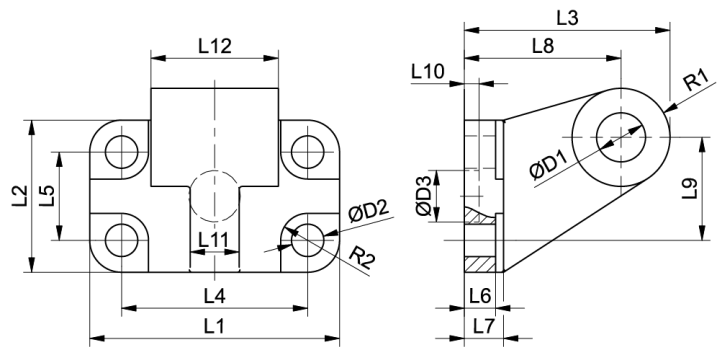
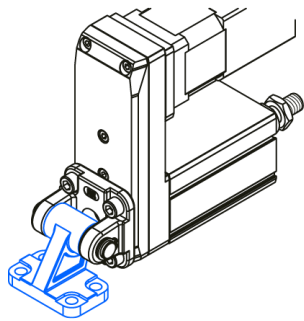
General Data

| Designation | Compatible with | Material | Fmax (N) | Mass (kg) |
|-----------------|-----------------|-----------|----------|-----------|
| MLG 45 - 108233 | MCE 45 | Aluminium | F MCE | 0.08 |

Dimensions



Simple support



| Designation | L1 | L2 | L3 | L4 | L5 | L6 | L7 | L8 | L9 |
|-----------------|----|----|----|----|----|-----|----|----|----|
| MLG 45 - 108233 | 51 | 31 | 42 | 38 | 18 | 6.4 | 8 | 32 | 21 |

| Designation | L10 | L11 | L12 | D1 | D2 | D3 | R1 | R2 |
|-----------------|------------|-----|-----|---------|-----------|---------------|----|-----|
| MLG 45 - 108233 | 3 (+0.5/0) | 10 | 26 | 10 (H9) | 6.6 (H13) | 10.5 (+0.5/0) | 10 | 5.5 |