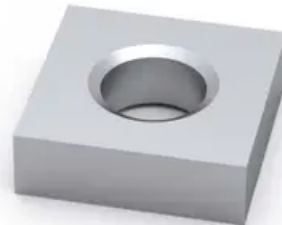


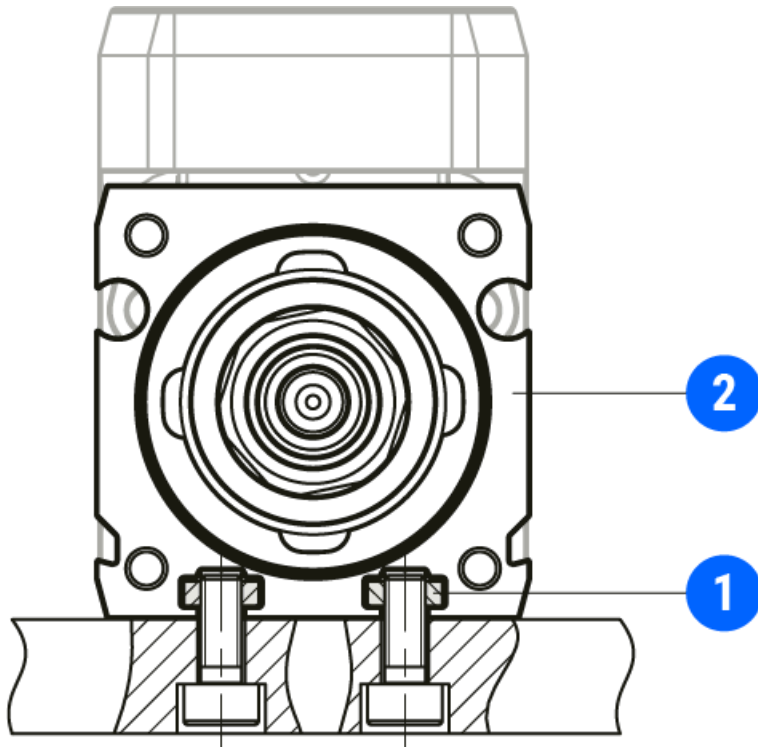
## Slot nut

Mini electric cylinder and slider can be mounted by using the slot nuts which are placed in the slots on the bottom side of the profile.

**Material:** Galvanized steel



## General Data



1 - Slot nut

2 - Profile of the MCE/MSCE

Designation	Compatible with	Mass (g)	Nut type
Slot nut 25 - 107082	MCE/MSCE 25	0.013	DIN562 - M2
Slot nut 32 - 37303	MCE/MSCE 32	0.035	DIN562 - M3
Slot nut 45 - 40682	MCE/MSCE 45	0.064	DIN562 - M4