

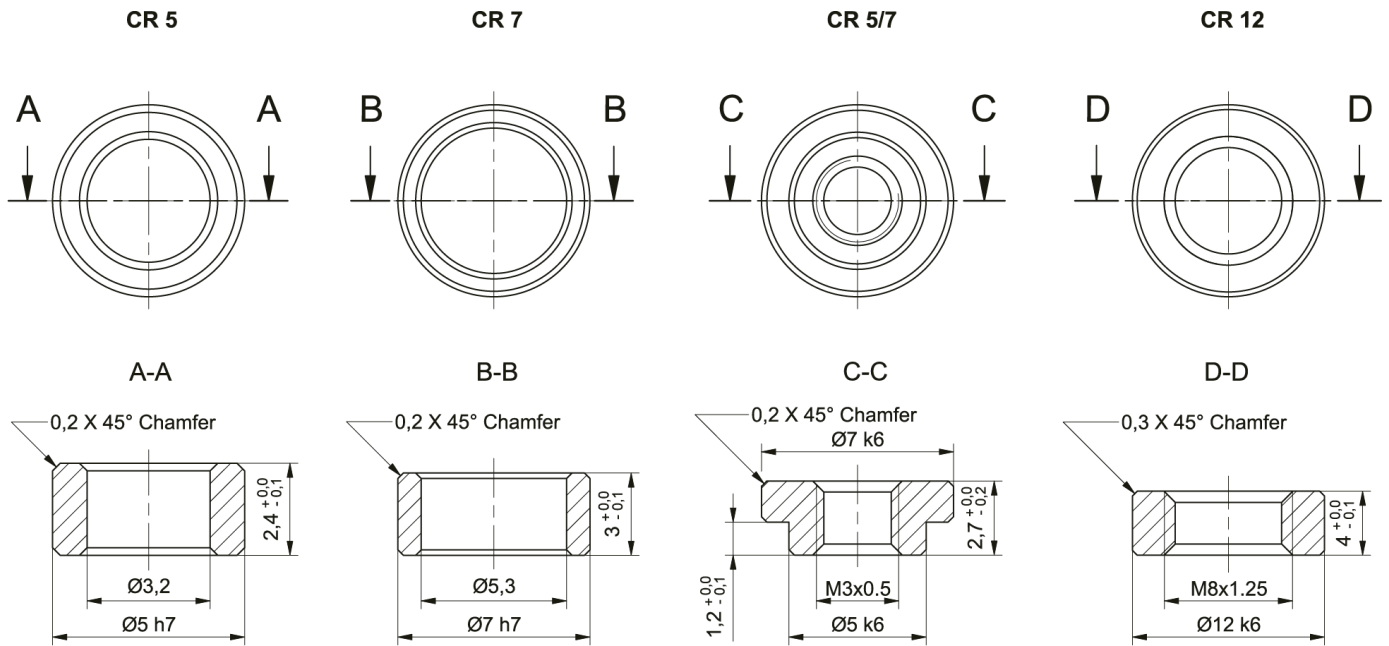
Centering ring

The scale of the drawings may not be equal.

Material: Stainless steel



General Data



Designation	Mass (g)
CR 5 - 107094	0.2
CR 7 - 23332	0.4
CR 5/7 - 107095	0.5
CR 12 - 49049	2.4