

## PSD 42 - Shaft 14 mm hollow

- Software features: spindle compensation drive, increased breakaway performance, synchronized run
- Software modules for IO-Link: changeover of parameter set, target speed in process data and modulo function
- Protection of internal electronics against manual operation
- Space-saving, compact design
- Galvanically separated supply voltages between control and motor and bus
- Precise position feedback thanks to an absolute measurement system without battery
- Optional gearbox for more torque
- Address may be set using the bus or an address switch (not for IO-Link)
- Status LEDs visible from the outside



Self-holding torque below at approx. 100 mA supply current and 1,2 A phase current, currentless 0 Nm.

Dimensions in mm.

See link Manual(s) for documentation and software.

**Type:** Horizontal

**Nominal Torque (Nm):** 2; 6; 8

**Nominal Speed (rpm):** 50; 63; 200

**Nominal Voltage (V DC):** 24 (± 10 %)

**Nominal Current (A):** 4.0

**Output Shaft (mm):** 14

**Output Shaft Type:** Hollow

**Rotation Shaft / Housing:** Direct or 0°; 90°; 180°; 270°

**BUS Communication:** Can Open (CA); IO-Link (IO);

ProfiNet (PN); EtherCat (EC); Ethernet IP (EI)

**Electrical connection:** 0: Standard

**Protection Class:** IP50; IP65

**Motor:** Stepper motor

**Supply Voltage:** 24 V DC ± 10 % galvanically separated between motor and control

**Measurement System:** Absolute without battery

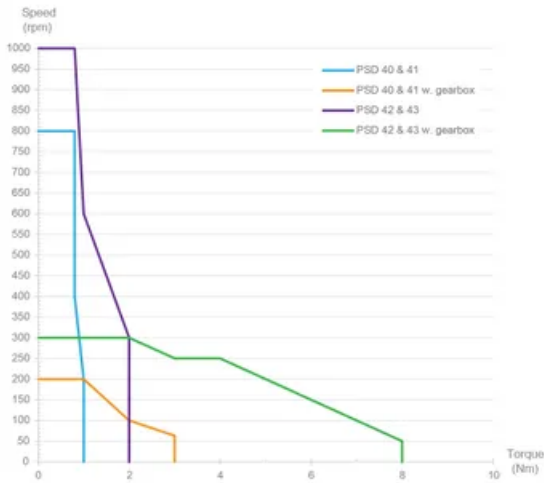
**Accuracy:** "±0.7 ° for versions with gearbox; ± 1.8 ° for versions without gearbox"

**Intermittence:** Start-up duration up to 30%

**Manual Adjustment:** No

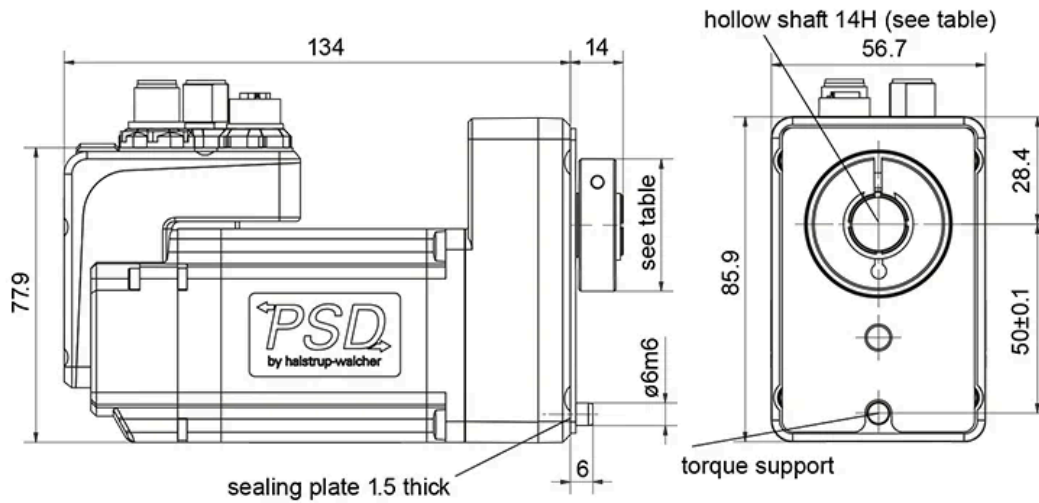
**Brake:** No

Performance Curve - Direct Drives PSD



**General Data**

**PSD 426-14H (hollow shaft, 6 and 8 Nm)**



Hollow shaft	Tolerance	Plug depth	Ø Clamp ring	Cylinder screw
Ø14	H7	20	35	DIN 912 M4 x 16

Designation	Nominal Torque (Nm)	Nominal Speed (rpm)	Nominal Current (A)	Self-holding Torque (Nm)	Max. Speed (rpm)
PSD 422-14H	2	200	4.0	1	500
PSD 426-14H	6	63	4.0	3	300
PSD 428-14H	8	50	4.0	4	250

Designation	Positioning Range (rot.)
PSD 422-14H	4026
PSD 426-14H	1274
PSD 428-14H	977