

ASN43

Partial extension consisting of a guide rail and a slider. This compact size and simple design allow very high load capacities. The high system rigidity is formed in connection with the adjacent construction.

Special strokes are defined as deviations from standard stroke H. See section "Special strokes" in the document Technical Information for Telescopic Rail Heavy.

Dimensions in mm.

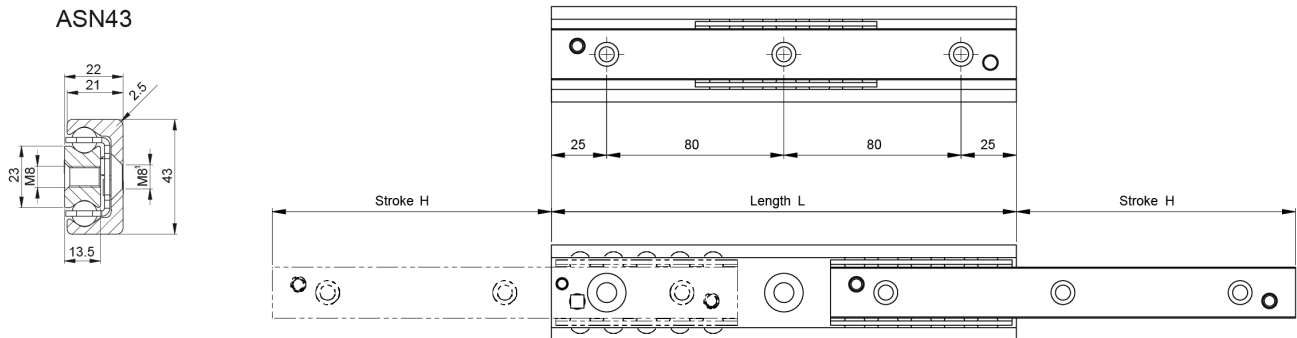
System Load Capacity Radial, System Load Capacity Axial, System Moment Capacity My and System Moment Capacity Mz values refers to a pair of rails.

Mx moment value refers to a single rail. The Mx system capacity depends on the width of the system and the load capacity radial.

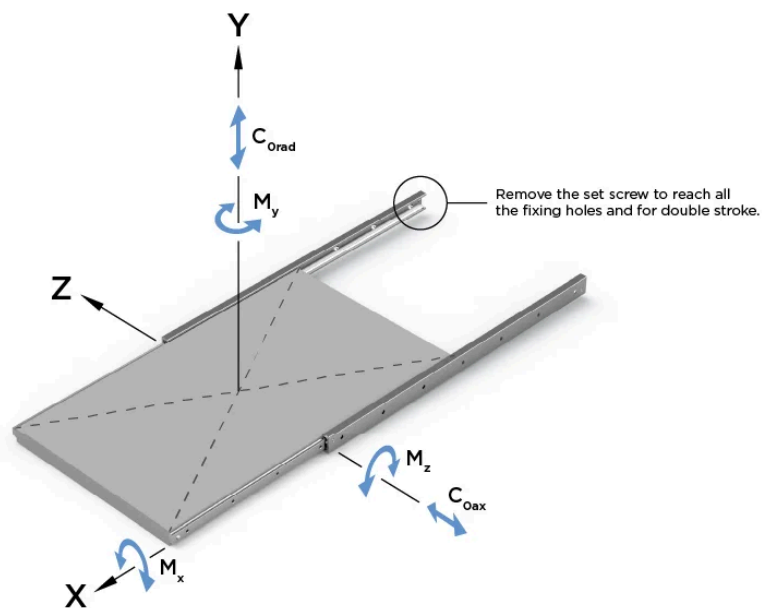
See Technical Information for further details, operating conditions and installation instructions.



General Data



* Fixing holes for countersunk head screws according to DIN 7991.



Designation	Length	Stroke	Weight (kg/m)	System Load Capacity Radial (N)	System Load Capacity Axial (N)
ASN43-210	210	123	5.25	3190	2234
ASN43-290	290	158	5.25	5744	4020
ASN43-370	370	208	5.25	6754	4728
ASN43-450	450	243	5.25	9380	6566
ASN43-530	530	278	5.25	12078	8454
ASN43-610	610	313	5.25	14822	10376
ASN43-690	690	363	5.25	15726	11008
ASN43-770	770	398	5.25	18464	12926
ASN43-850	850	433	5.25	21230	14862
ASN43-930	930	483	5.25	22108	15476
ASN43-1010	1010	518	5.25	24868	17408
ASN43-1090	1090	568	5.25	25754	18028
ASN43-1170	1170	603	5.25	28508	19956
ASN43-1250	1250	638	5.25	31276	21894
ASN43-1330	1330	688	5.25	32150	22504
ASN43-1410	1410	723	5.25	34912	24438
ASN43-1490	1490	758	5.25	37690	26382

Designation	Length	Stroke	Weight (kg/m)	System Load Capacity Radial (N)	System Load Capacity Axial (N)
ASN43-1570	1570	793	5.25	40476	28334
ASN43-1650	1650	843	5.25	41322	28926
ASN43-1730	1730	878	5.25	44104	30872
ASN43-1810	1810	928	5.25	44958	31472
ASN43-1890	1890	963	5.25	47734	33414
ASN43-1970	1970	1013	5.25	48596	34018

Designation	System Moment Capacity My (Nm)	System Moment Capacity Mz (Nm)	Mx moment (Nm)	Number of Fixing Holes
ASN43-210	168	240	60.6	3
ASN43-290	402	576	93.8	4
ASN43-370	616	880	115.9	5
ASN43-450	1018	1456	149.2	6
ASN43-530	1524	2176	182.4	7
ASN43-610	2128	3042	215.6	8
ASN43-690	2588	3698	237.8	9
ASN43-770	3362	4804	271	10
ASN43-850	4238	6054	304.2	11
ASN43-930	4878	6968	326.4	12
ASN43-1010	5922	8460	359.6	13
ASN43-1090	6674	9534	381.8	14
ASN43-1170	7886	11266	415	15
ASN43-1250	9198	13142	448.2	16
ASN43-1330	10130	14472	470.4	17
ASN43-1410	11612	16590	503.6	18
ASN43-1490	13196	18850	536.8	19
ASN43-1570	14880	21256	570.1	20
ASN43-1650	16058	22940	592.2	21
ASN43-1730	17912	25588	625.5	22
ASN43-1810	19202	27432	647.6	23
ASN43-1890	21224	30320	680.8	24
ASN43-1970	22628	32324	703	25