

## DSS28

Full extension consisting of two guide rails made of fixed and movable elements and an S-shaped intermediate element. This has a high moment of inertia and high rigidity with slim size. This results in a high loading capacity with low deflection in the extended state.

The DS series is available in three different designs: Version S with one-sided extension, Version B with locking system in closed position for one-sided extension (DSB) and Version D with double-sided extension (DSD).

Number of holes shown in table are accessible holes/total holes.

Special strokes are defined as deviations from standard stroke H. See section "Special strokes" in the document Technical Information for Telescopic Rail Heavy.

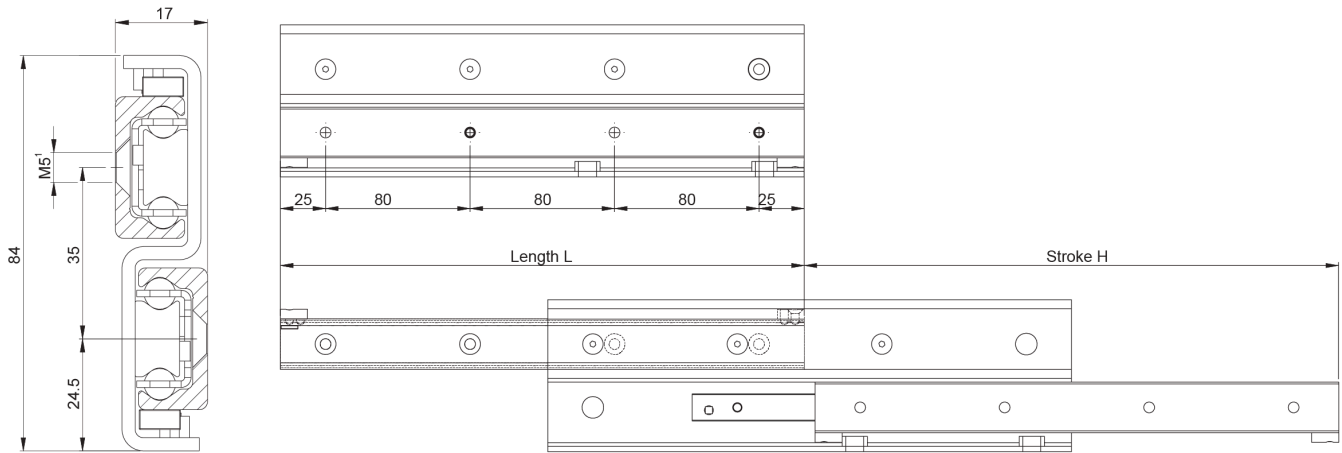
System Load Capacity Radial value refers to a pair of rails. Dimensions in mm.

See Technical Information for further details, operating conditions and installation instructions.

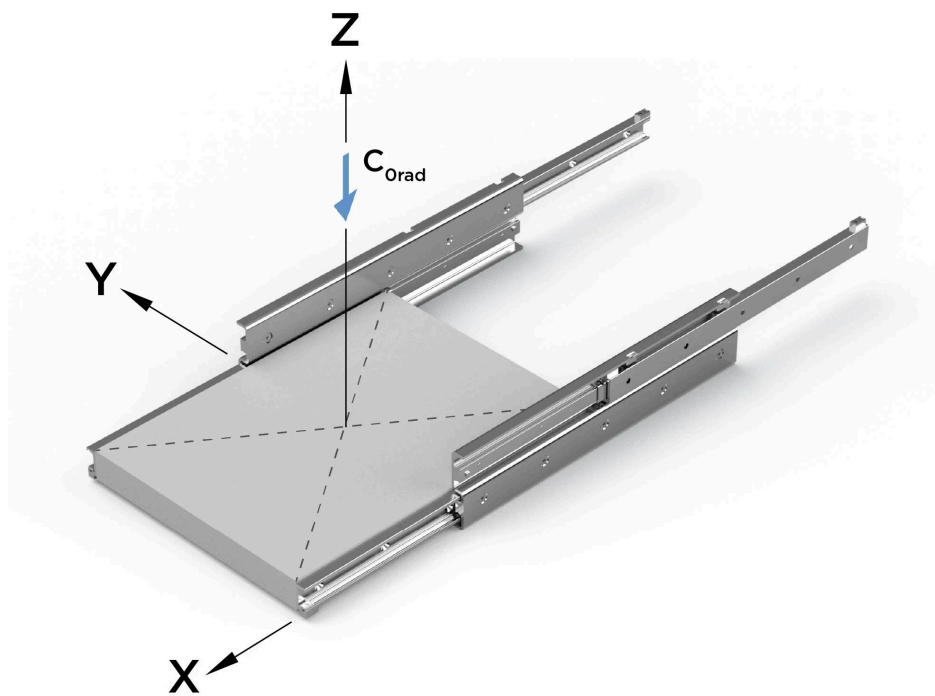


## General Data

DSS28



<sup>1</sup> Fixing holes for countersunk head screws according to DIN 7991.



| Designation | Length | Stroke | Weight (kg/m) | System Load Capacity Radial (N) | Number of Fixing Holes |
|-------------|--------|--------|---------------|---------------------------------|------------------------|
| DSS28-290   | 290    | 296    | 6.4           | 1140                            | 3/4                    |
| DSS28-370   | 370    | 380    | 6.4           | 1538                            | 4/5                    |
| DSS28-450   | 450    | 464    | 6.4           | 1938                            | 4/6                    |
| DSS28-530   | 530    | 548    | 6.4           | 2340                            | 6/7                    |
| DSS28-610   | 610    | 630    | 6.4           | 2752                            | 6/8                    |
| DSS28-690   | 690    | 714    | 6.4           | 3154                            | 7/9                    |
| DSS28-770   | 770    | 798    | 6.4           | 3556                            | 7/10                   |
| DSS28-850   | 850    | 864    | 6.4           | 4222                            | 9/11                   |
| DSS28-930   | 930    | 950    | 6.4           | 4480                            | 9/12                   |
| DSS28-1010  | 1010   | 1034   | 6.4           | 4108                            | 10/13                  |

| Designation | Length | Stroke | Weight (kg/m) | System Load Capacity Radial (N) | Number of Fixing Holes |
|-------------|--------|--------|---------------|---------------------------------|------------------------|
| DSS28-1090  | 1090   | 1118   | 6.4           | 3792                            | 10/14                  |
| DSS28-1170  | 1170   | 1202   | 6.4           | 3522                            | 12/15                  |
| DSS28-1250  | 1250   | 1266   | 6.4           | 3390                            | 12/16                  |
| DSS28-1330  | 1330   | 1350   | 6.4           | 3172                            | 13/17                  |
| DSS28-1410  | 1410   | 1434   | 6.4           | 2980                            | 13/18                  |
| DSS28-1490  | 1490   | 1518   | 6.4           | 2810                            | 15/19                  |