

DSD28

Full extension consisting of two guide rails made of fixed and movable elements and an S-shaped intermediate element. This has a high moment of inertia and high rigidity with slim size. This results in a high loading capacity with low deflection in the extended state.

The DS series is available in three different designs: Version S with one-sided extension, Version B with locking system in closed position for one-sided extension (DSB) and Version D with double-sided extension (DSD).

Number of holes shown in table are accessible holes/total holes.

Special strokes are defined as deviations from standard stroke H. See section "Special strokes" in the document Technical Information for Telescopic Rail Heavy.

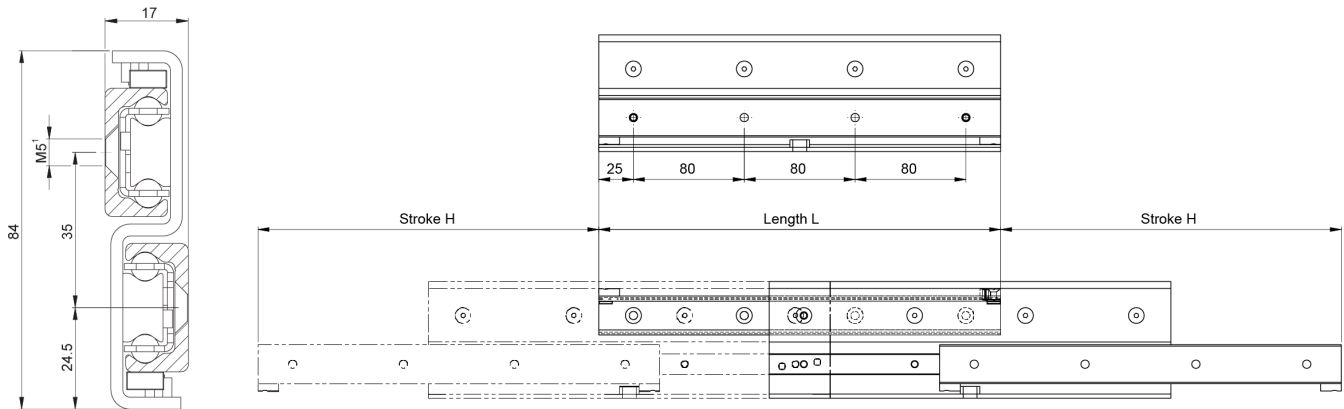
System Load Capacity Radial value refers to a pair of rails. Dimensions in mm.

See Technical Information for further details, operating conditions and installation instructions.

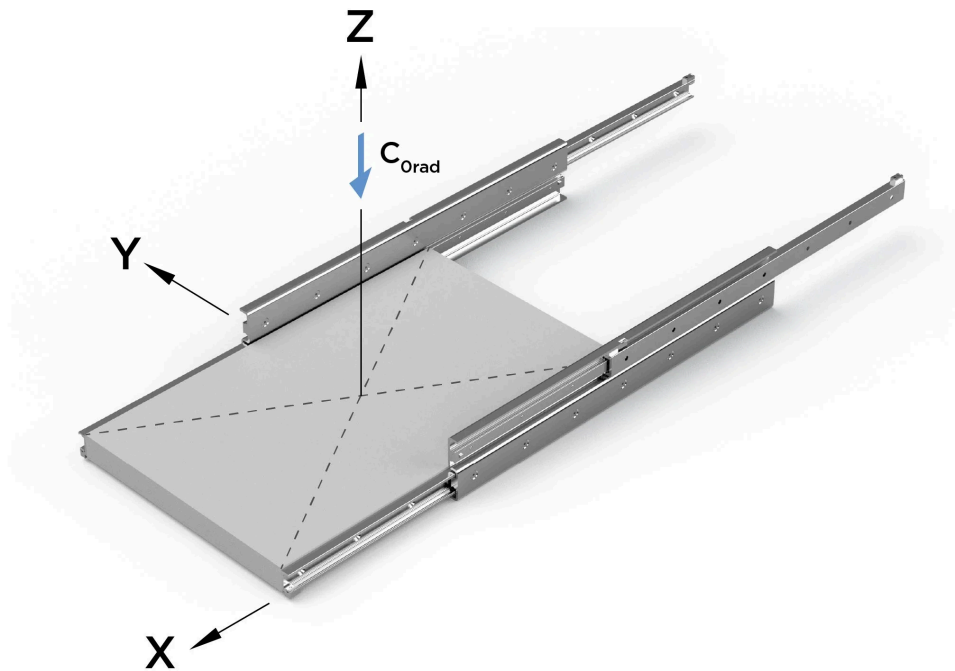


General Data

DSD28



¹ Fixing holes for countersunk head screws according to DIN 7991.



Designation	Length	Stroke	Weight (kg/m)	System Load Capacity Radial (N)	Number of Fixing Holes
DSD28-290	290	246	6.4	1790	4/4
DSD28-370	370	326	6.4	2210	4/5
DSD28-450	450	406	6.4	2634	6/6
DSD28-530	530	486	6.4	3252	6/7
DSD28-610	610	566	6.4	3674	8/8
DSD28-690	690	646	6.4	4100	8/9
DSD28-770	770	726	6.4	4524	10/10
DSD28-850	850	806	6.4	4950	10/11
DSD28-930	930	886	6.4	5162	12/12
DSD28-1010	1010	966	6.4	4714	12/13
DSD28-1090	1090	1046	6.4	4336	14/14
DSD28-1170	1170	1126	6.4	4016	14/15

Designation	Length	Stroke	Weight (kg/m)	System Load Capacity Radial (N)	Number of Fixing Holes
DSD28-1250	1250	1206	6.4	3740	16/16
DSD28-1330	1330	1286	6.4	3498	16/17
DSD28-1410	1410	1366	6.4	3288	18/18
DSD28-1490	1490	1446	6.4	3100	18/19