

## DBN35

Full extension consisting of two guide rails, both fixed and movable, and two sliders which together form the intermediate element. The size is similar to the DE series and offers good protection from dirt of the open ballcage.

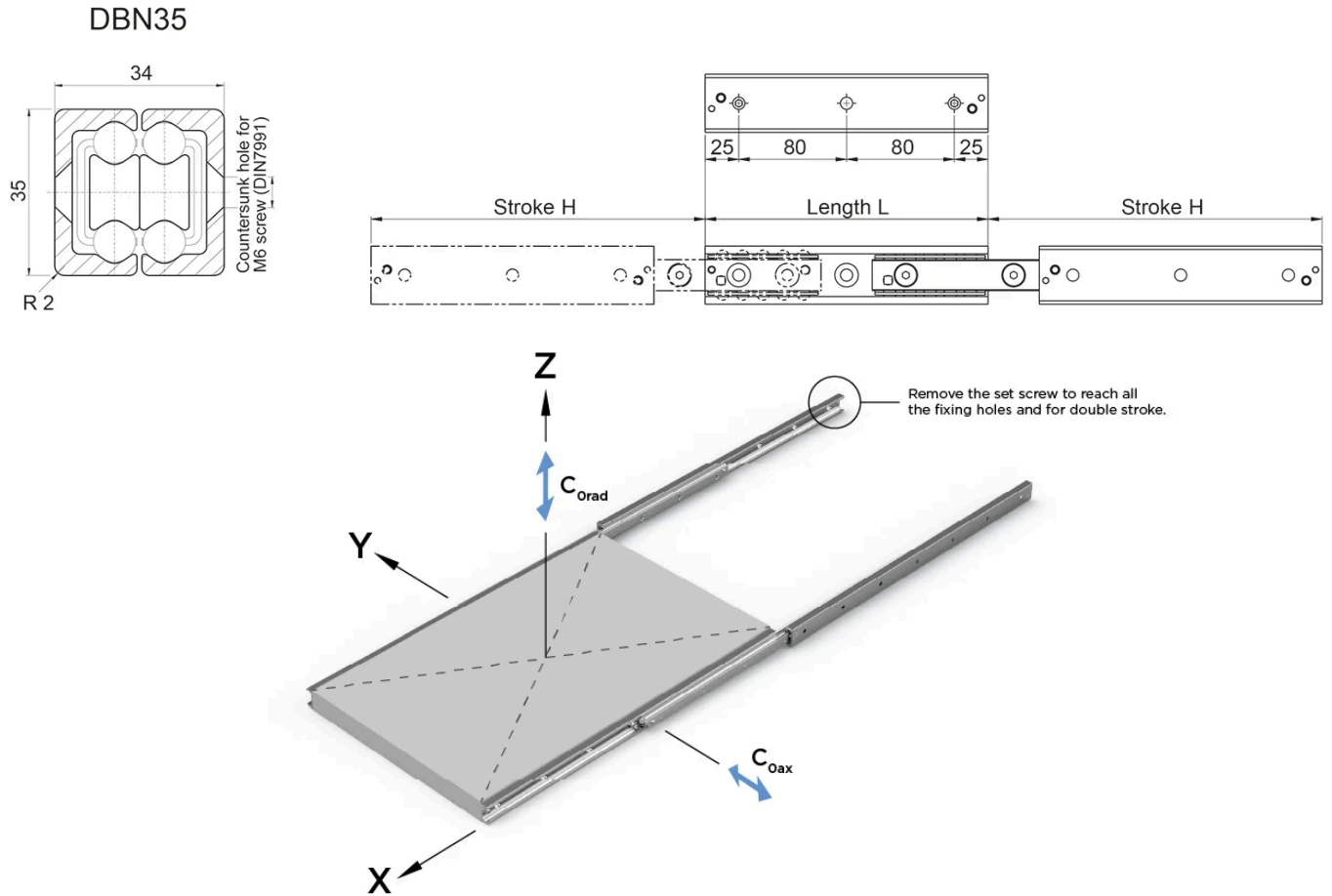
Special strokes are defined as deviations from standard stroke H. See section "Special strokes" in the document Technical Information for Telescopic Rail Heavy.

System Load Capacity Radial and System Load Capacity Axial values refers to a pair of rails. Dimensions in mm.

See Technical Information for further details, operating conditions and installation instructions.



## General Data



Designation	Length	Stroke	Weight (kg/m)	System Load Capacity Radial (N)	System Load Capacity Axial (N)
DBN35-210	210	254	6.1	804	562
DBN35-290	290	318	6.1	1334	1120
DBN35-370	370	406	6.1	1044	1044
DBN35-450	450	494	6.1	858	858
DBN35-530	530	558	6.1	788	788
DBN35-610	610	646	6.1	676	676
DBN35-690	690	734	6.1	594	594
DBN35-770	770	798	6.1	558	558
DBN35-850	850	886	6.1	500	500
DBN35-930	930	974	6.1	454	454
DBN35-1010	1010	1038	6.1	434	434
DBN35-1090	1090	1126	6.1	398	398
DBN35-1170	1170	1214	6.1	366	366
DBN35-1250	1250	1278	6.1	354	354
DBN35-1330	1330	1366	6.1	330	330
DBN35-1410	1410	1454	6.1	308	308
DBN35-1490	1490	1518	6.1	298	298

Designation	Number of Fixing Holes
DBN35-210	3

Designation	Number of Fixing Holes
DBN35-290	4
DBN35-370	5
DBN35-450	6
DBN35-530	7
DBN35-610	8
DBN35-690	9
DBN35-770	10
DBN35-850	11
DBN35-930	12
DBN35-1010	13
DBN35-1090	14
DBN35-1170	15
DBN35-1250	16
DBN35-1330	17
DBN35-1410	18
DBN35-1490	19