

5040 - 100% Extension

The 5040 is a 4 beam version of the 5030. The 5040 100% extension can carry up to 260 kg per pair. Standard lengths 300 to 1000 mm in 50 mm increments.

All dimensions in mm.

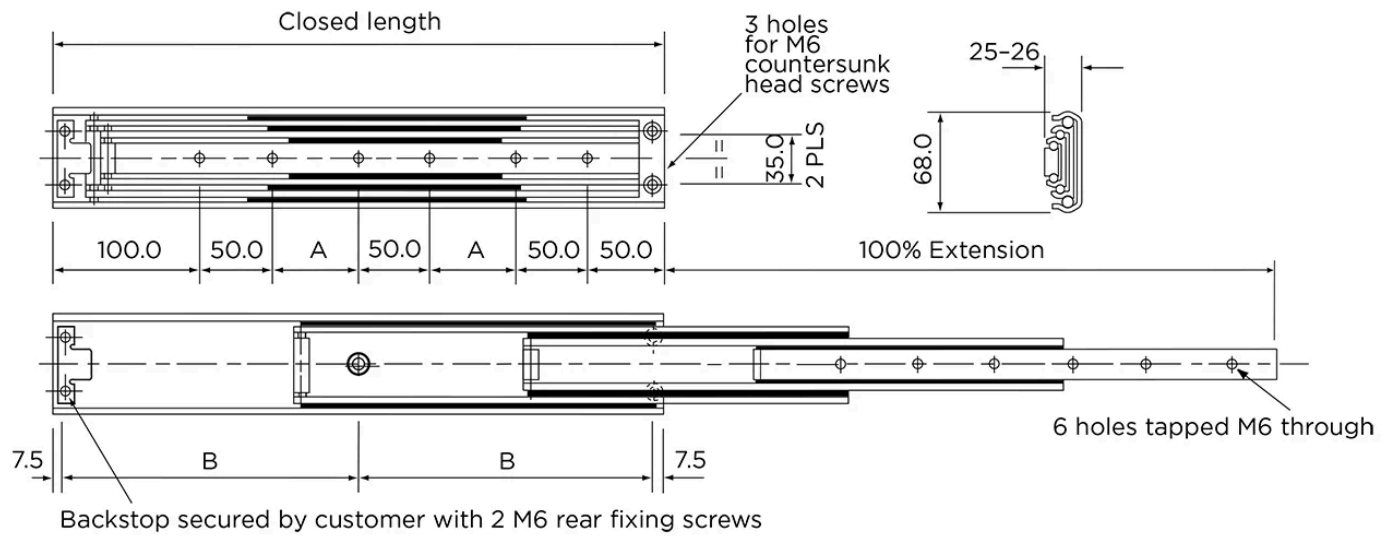
System Load Capacity value refers to a pair of rails at full extension.

Material: Cold-drawn steel profile, zinc plated

Extension: 100%

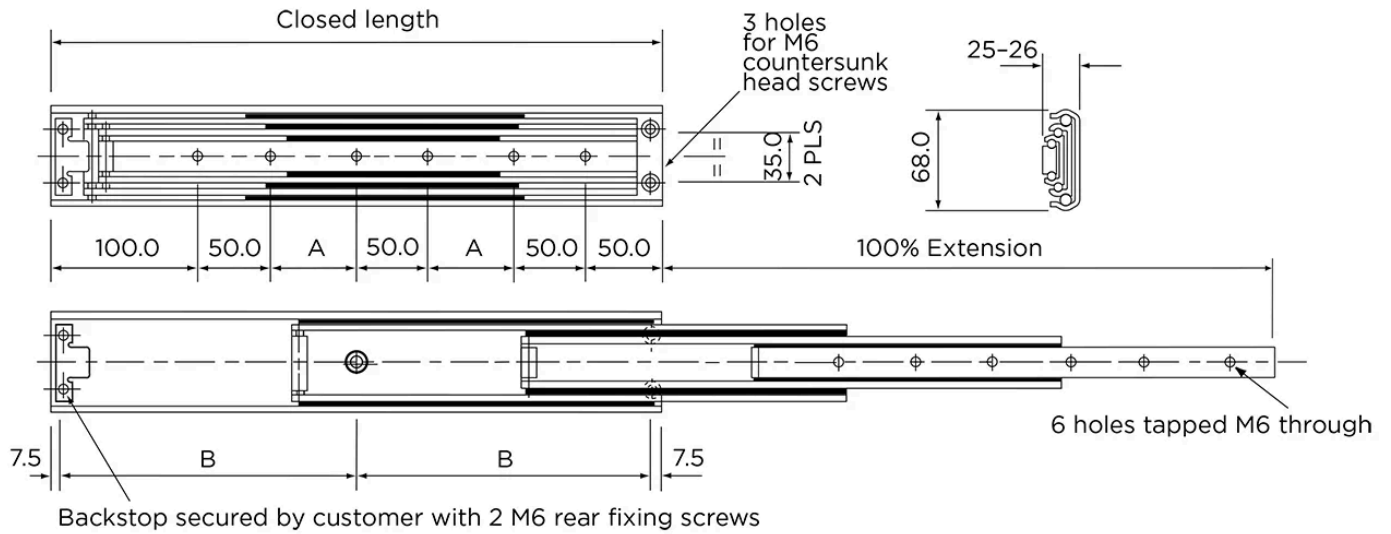


General Data



Designation	Closed Length	Extension Length	System Load Capacity (N)	Number of Fixing Holes	Weight/pc (kg)
5040-300-100	300	300	2600	4	2.17
5040-350-100	350	350	2570	6	2.6
5040-400-100	400	400	2450	6	3.02
5040-450-100	450	450	2380	6	3.41
5040-500-100	500	500	2300	6	3.85
5040-550-100	550	550	2200	6	4.24
5040-600-100	600	600	2100	6	4.68
5040-650-100	650	650	2000	6	5.02
5040-700-100	700	700	1950	6	5.42
5040-750-100	750	750	1820	6	5.78
5040-800-100	800	800	1780	6	6.22
5040-850-100	850	850	1680	6	6.64
5040-900-100	900	900	1600	6	7.04
5040-950-100	950	950	1500	6	7.44
5040-1000-100	1000	1000	1400	6	7.9

Dimensions



Designation	A	B
5040-300-100	-	142.5
5040-350-100	25	167.5
5040-400-100	50	192.5
5040-450-100	75	217.5
5040-500-100	100	242.5
5040-550-100	125	267.5
5040-600-100	150	292.5
5040-650-100	175	317.5
5040-700-100	200	342.5
5040-750-100	225	367.5
5040-800-100	250	392.5
5040-850-100	275	417.5
5040-900-100	300	442.5
5040-950-100	325	467.5
5040-1000-100	350	492.5