

Elastomer Coupling EKM

- With radial clamping hub on both sides
- Plug-in, backlash-free, oscillation dampening
- Cost-effective standard series, very short design

Peak torque is in general 1,5 times nominal.

Dimensions in mm. Length dimensions according to DIN ISO 2768 cH.

Material: Elastomer spider: polyurethane Hubs: high-tensile strength aluminum (size 2000: tempered steel) Screws: ISO 4762 - 12.9

Temperature range (°C): Depends on size, see table.

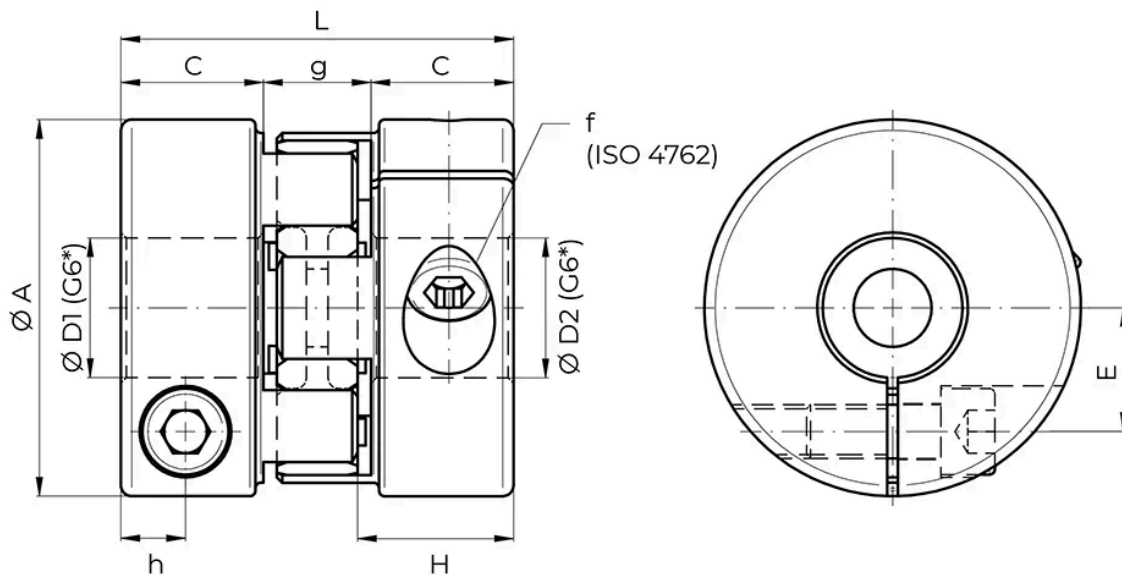


General Data

Designation	Nominal Torque (Nm)	Hardness (shore)	Moment of inertia ($10^{-9}\text{kg}\cdot\text{m}^2$)	Torsional stiffness (Nm/arcmin)	Axial max. shaft misalignment (mm)
EKM8	8	98 Sh-A	0.01	0.09	0.5
EKM15	15	98 Sh-A	0.03	0.24	0.5
EKM20	20	72 Sh-D	0.03	0.46	0.5
EKM30	30	98 Sh-A	0.09	0.7	0.5
EKM45	45	72 Sh-D	0.09	1.1	0.5
EKM60	60	98 Sh-A	0.18	1.0	0.5
EKM90	90	72 Sh-D	0.18	2.0	0.5
EKM150	150	98 Sh-A	0.38	1.2	1
EKM200	200	72 Sh-D	0.38	2.3	1
EKM300	300	98 Sh-A	1.0	3.6	1
EKM400	400	72 Sh-D	1.0	7.0	1
EKM500	500	98 Sh-A	2.2	4.5	1
EKM700	700	98 Sh-A	5.2	8.0	1
EKM1000	1 000	72 Sh-D	5.2	12	1
EKM2000	2 000	98 Sh-A	50	21	1

Designation	Lateral max. shaft misalignment (mm)	Lateral spring rate (N/mm)	Max. Speed (rpm)	Weight (kg)	Temperature range (°C)
EKM8	0.10	600	29 000	0.06	-30° to +90°C
EKM15	0.10	2 100	23 000	0.12	-30° to +90°C
EKM20	0.10	2 900	23 000	0.12	-20° to +120°C
EKM30	0.10	2 500	19 000	0.21	-30° to +90°C
EKM45	0.10	3 600	19 000	0.21	-20° to +120°C
EKM60	0.10	2 600	17 000	0.32	-30° to +90°C
EKM90	0.10	3 700	17 000	0.32	-20° to +120°C
EKM150	0.10	3 300	15 000	0.52	-30° to +90°C
EKM200	0.07	4 600	15 000	0.52	-20° to +120°C
EKM300	0.12	4 500	12 000	0.9	-30° to +90°C
EKM400	0.10	6 500	12 000	0.9	-20° to +120°C
EKM500	0.15	5 900	9 500	1.5	-30° to +90°C
EKM700	0.15	7 000	8 000	2.5	-30° to +90°C
EKM1000	0.10	9 600	8 000	2.5	-20° to +120°C
EKM2000	0.15	9 000	6 000	14	-30° to +90°C

Dimensions



*Other bore tolerances on request.

Designation	Nominal Torque (Nm)	A	L	C	g	f	E	$\varnothing D1/2$ min.	$\varnothing D1/2$ max.
EKM8	8	32	40 (± 0.5)	13.5	13	M4 - Ts=4 Nm	10.5	6	15
EKM15	15	40	50 (± 0.5)	17	16	M5 - Ts=8 Nm	13	7	20
EKM20	20	40	50 (± 0.5)	17	16	M5 - Ts=8 Nm	13	8	20
EKM30	30	50	58 (± 0.5)	20	18	M6 - Ts=14 Nm	16.5	10	25
EKM45	45	50	58 (± 0.5)	20	18	M6 - Ts=14 Nm	16.5	12	25
EKM60	60	60	62 (± 0.5)	22	18	M8 - Ts=35 Nm	19.5	13	28
EKM90	90	60	62 (± 0.5)	22	18	M8 - Ts=35 Nm	19.5	14	28
EKM150	150	70	73 (± 1)	26.5	20	M10 - Ts=50 Nm	23	16	32
EKM200	200	70	73 (± 1)	26.5	20	M10 - Ts=50 Nm	23	18	32
EKM300	300	85	86 (± 1)	31	24	M12 - Ts=90 Nm	29	20	40
EKM400	400	85	86 (± 1)	31	24	M12 - Ts=90 Nm	29	24	40
EKM500	500	100	94 (± 1)	33	28	M12 - Ts=115 Nm	36	28	56
EKM700	700	120	109 (± 1)	38	33	M14 - Ts=140 Nm	44	30	70
EKM1000	1 000	120	109 (± 1)	38	33	M14 - Ts=140 Nm	44	40	70
EKM2000	2 000	160	124 (± 1)	42	40	M16 - Ts=290 Nm	55.5	48	90