

## Standard Fastener

Connect two aluminium profiles. Teeth crack the anodised coating and create a reliable and conductive link.

Material Connector: Galvanised or stainless steel

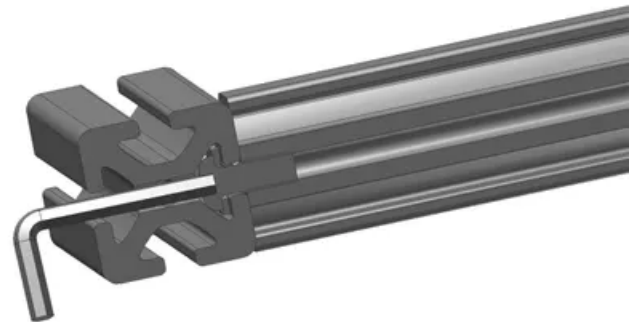
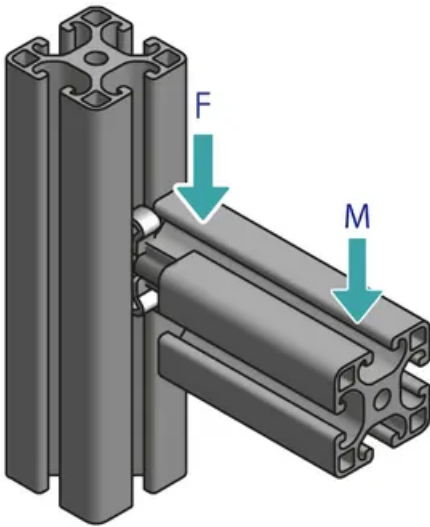
Material Dummy plug: PVC, black

Note: Use the dummy plugs to close the drill hole in closed slots

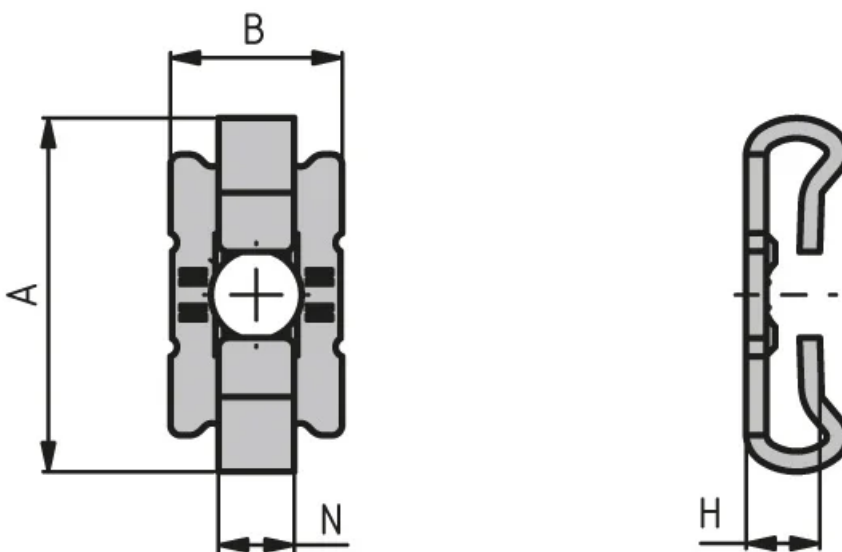
**System:** 30 - Slot 6; 20 - Slot 5

**Type:** Fasteners





**General Data**



Designation	Description	System	H	M (Nm)	ESD
PV4010	Galvanised screw connector	20 - Slot 5	7.3	7	Yes
PV4025	Galvanised screw connector including ISO 7380 M5 × 12 screw	20 - Slot 5	7.3	7	Yes
PV3025	Galvanised screw connector including ISO 7380 M6 × 14 screw	30 - Slot 6	7.3	30	Yes

Designation	Description	System	H	M (Nm)	ESD
PV3020	Galvanised screw connector	30 - Slot 6	7.3	30	Yes
PA3050	Dummy plug for D5.5 Black	-	-	-	-
PA3055	Dummy plug for D5.5 Grey	-	-	-	-
PA4065	Dummy plug for D4.3, Grey	-	-	-	-
PA4066	Dummy plug for D4.3, Black	-	-	-	-

Designation	A x B	F (N)
PV4010	19 x 10	450
PV4025	19 x 10	450
PV3025	27.5 x 13	600
PV3020	27.5 x 13	600
PA3050	-	-
PA3055	-	-
PA4065	-	-
PA4066	-	-