

Automatic Combination Connector

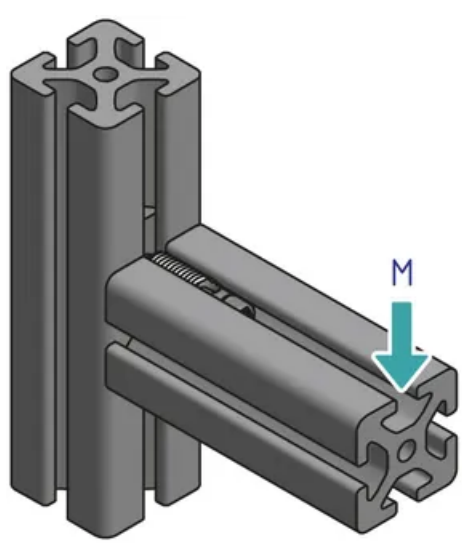
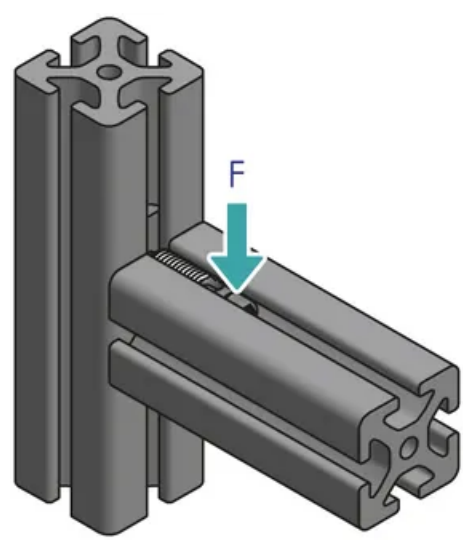
Quickly and reliably links two aluminium profiles without having to modify them.

Material: Galvanised steel

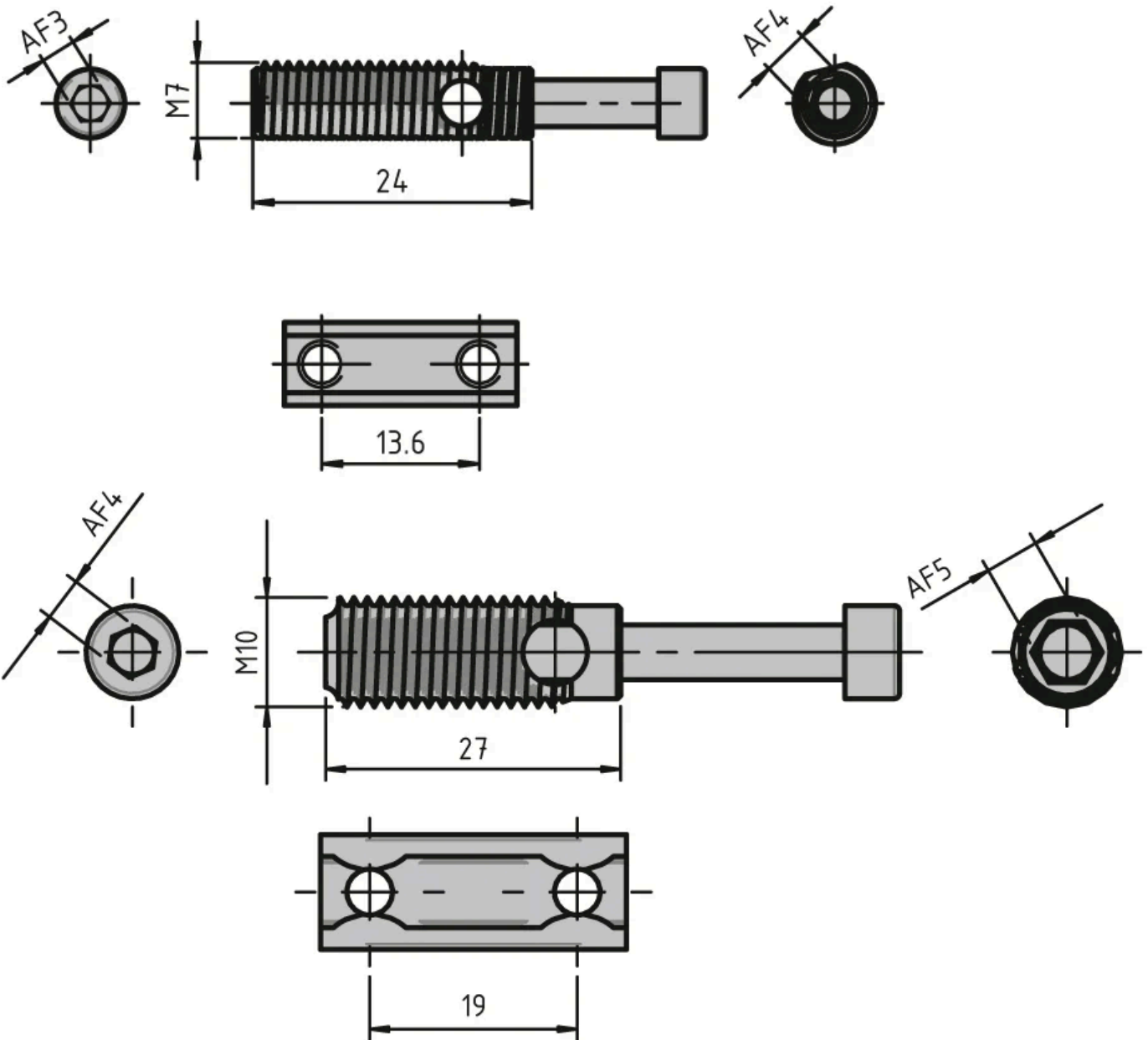
System: 30 - Slot 6; 20 - Slot 5

Type: Fasteners





General Data



Designation	Description	System	M (Nm)	F (N)
PV1204	Automatic combination connector 20 including slot nut with guide step	20 - Slot 5	6	350
PV1205	Automatic combination connector 30 including slot nut with guide step	30 - Slot 6	35	600