

Floor Mount for Trapezoid Base

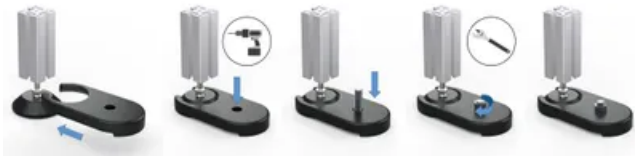
To fix the Adjustable Feet Trapezoid Base 60 and 80 to the floor.

Material: Die-cast zinc with a black powder coat

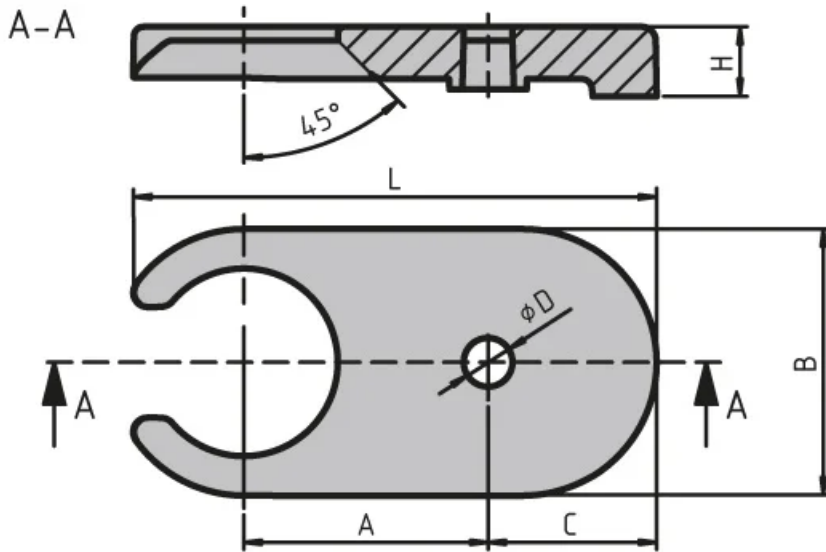
System: 40 - Slot 8; 30 - Slot 6; 20 - Slot 5

Type: Feet





General Data



Designation	Description	A	B	C	D
RA3135	Floor mount for trapezoid base 60	50	56	38	12
RA1455	Floor mount for trapezoid base 80	70	76.5	48	14

Designation	H	L
RA3135	18	110
RA1455	20	150