

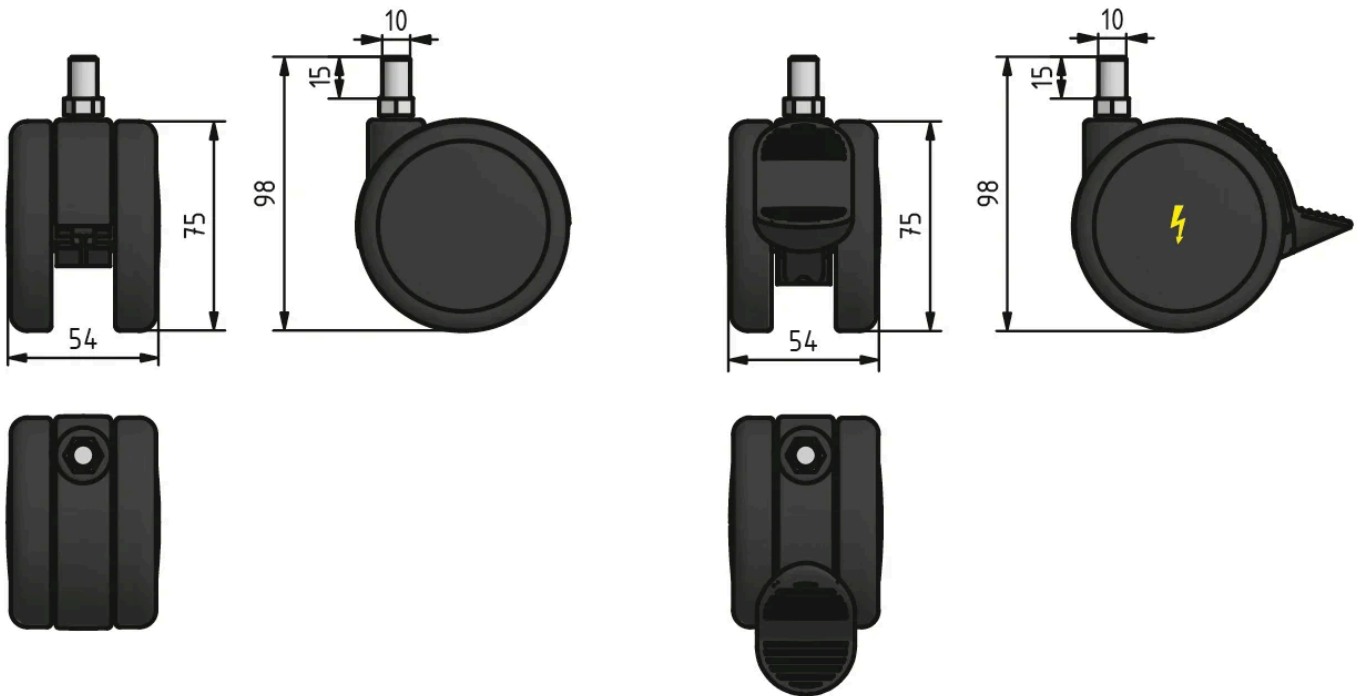
Plastic Double Castor

Double castor that carries up to 75 kg.
Optional: ESD-ready and locking variant.
Base plates allow installation in the core pulling.
Colour: Black
Wheel with thermoplastic polyurethane tread
Bearing: Friction bearing

System: 20 - Slot 5; 30 - Slot 6; 40 - Slot 8
Type: Castors



General Data



| Designation | Description | D | ESD | F (N) | Wheel Width |
|-------------|--|----|-----|-------|-------------|
| RA5105 | Plastic double castor | 75 | - | 750 | 2 × 15 |
| RA5106 | Plastic double castor | 75 | Yes | 750 | 2 × 15 |
| RA5107 | Plastic double castor with wheel stopper | 75 | - | 750 | 2 × 15 |
| RA5108 | Plastic double castor with wheel stopper | 75 | Yes | 750 | 2 × 15 |