

## Bracket 30 × 30

Material: Bracket: Die-cast zinc, uncoated and silver powder coated.

Cap: Black plastic (PA)

Mounting kit: Galvanised steel

Mounting material:

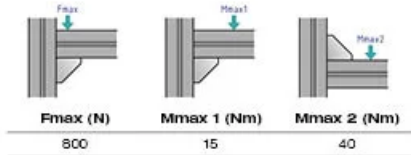
2× M6 slot 6 slot nuts with step

2× M6 × 14 screw (DIN 7380)

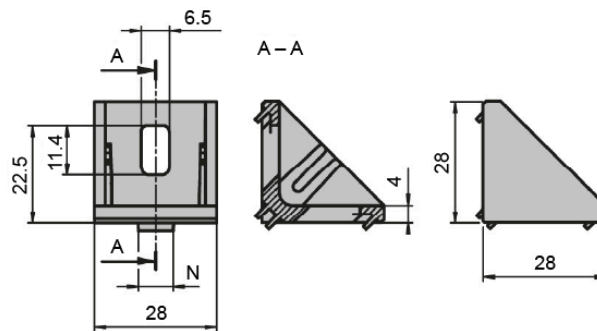
**System:** 30 - Slot 6

**Type:** Angles Brackets and Corners; Fasteners





## General Data



Designation	Description	System	ESD
PZ5001	Bracket 30 × 30	30 - Slot 6	-
PZ5002	Bracket 30 × 30 with mounting material and ABDK	30 - Slot 6	-
PZ5003	Bracket 30 × 30 silver powder coated with mounting material and ABDK	30 - Slot 6	Yes
PA1202	Cap 30 × 30	30 - Slot 6	-