

Snap Hook & Sliding Tool Hanger

Hang your tools and clear up your bench.

Cost-effective solution for sliding tool hangers.

Slides in the profile slot.

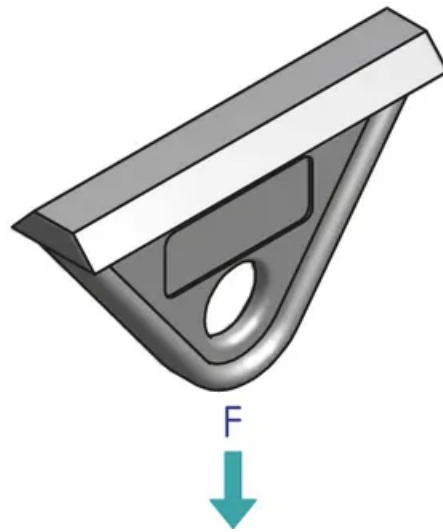
Slot nut can be used as stopper.

Material: Slide: Plastic (PA); fibreglass-reinforced / galvanised steel

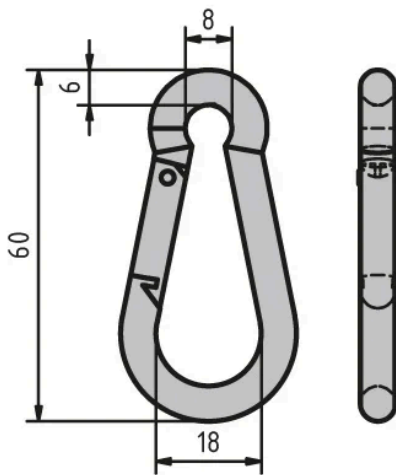
System: 30 - Slot 6

Type: System Gliders and Rollers

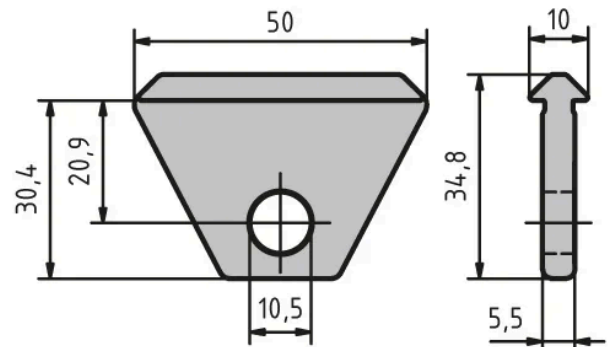




General Data



Karabinerhaken



Nut 6

Designation	System	Material	H	F (N)
PZ1245	30 - Slot 6	Galvanised steel	60	-
PZ5110	30 - Slot 6	Stainless steel	80	-
PZ1250	30 - Slot 6	Plastic (PA), fibreglass-reinforced	-	40