

Runner

Guides moving parts along the aluminium profile slot.

Material: Runner: Plastic (PA), glass bead-reinforced

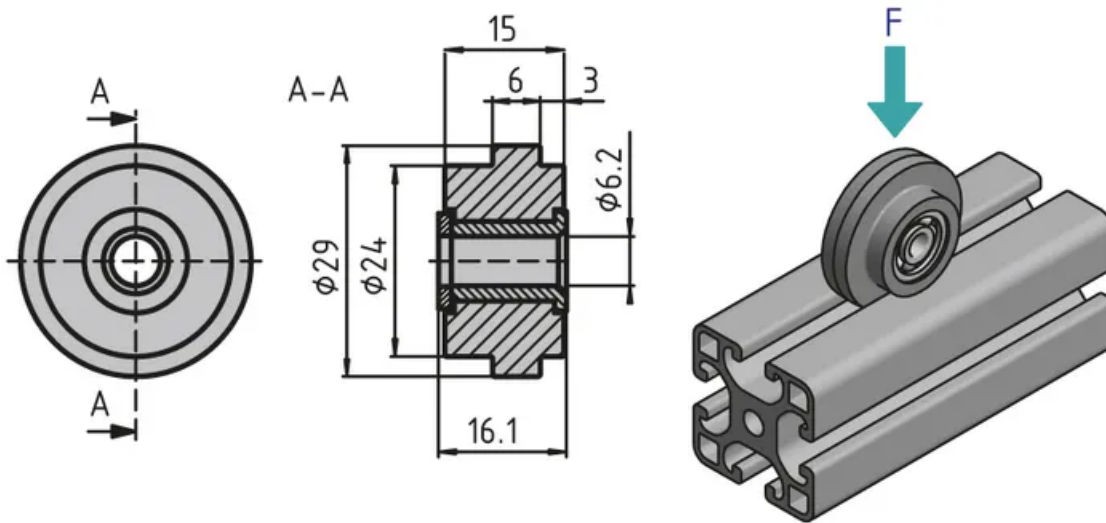
Socket: Galvanised steel

Washer: Galvanised steel

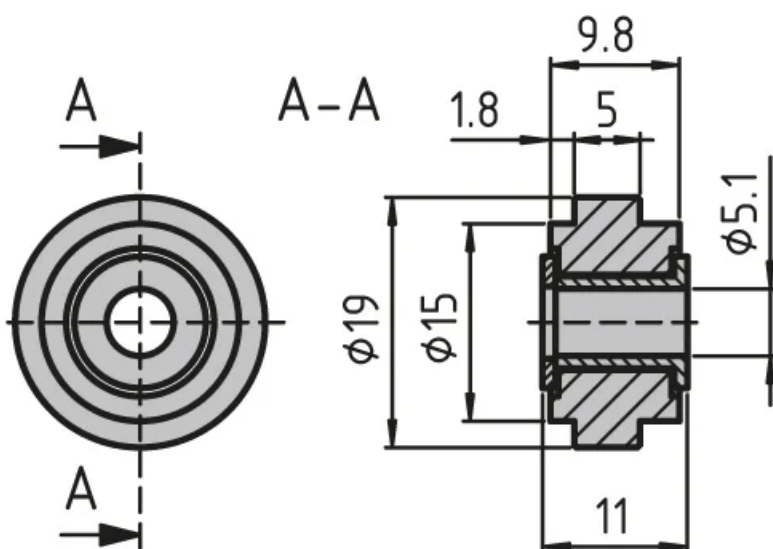
System: 30 - Slot 6; 20 - Slot 5

Type: System Gliders and Rollers





General Data



Designation	System	D	F (N)
PZ4060	20 - Slot 5	19	100
PZ3245	30 - Slot 6	29	250